



SR15/SR10

FLEX-WING
ROTARY CUTTER/SHREDDER

Revision 04-06

P/N 00764578MB

MASTER PARTS BOOK

S/N 10001 TO 11270



PARTS LISTING

Rhino®

An Alamo Group Company

1020 S. Sangamon Ave.

Gibson City, Il 60936

1-800-446-5158

Email: parts@servis-rhino.com

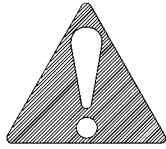


© 2006 Alamo Group Inc.

TO THE OWNER/OPERATOR/DEALER

All implements with moving parts are potentially hazardous. There is no substitute for a cautious, safe-minded operator who recognizes the potential hazards and follows reasonable safety practices. The manufacturer has designed this implement to be used with all its safety equipment properly attached to minimize the chance of accidents.

BEFORE YOU START!! Read the safety messages on the implement and shown in your manual.
Observe the rules of safety and common sense!



DANGER

FAILING TO FOLLOW SAFETY MESSAGES AND OPERATING INSTRUCTIONS CAN CAUSE SERIOUS BODILY INJURY OR EVEN DEATH TO OPERATOR AND OTHERS IN THE AREA.

<p>1.</p>	<p>2. NO RIDERS, NO CHILDREN OPERATORS.</p>	<p>3. USE SAFETY SHOES, HARD HAT, SAFETY GLASSES, SEAT BELTS, & ROPS.</p>	<p>4. BLOCK UP SECURELY BEFORE WORKING UNDER.</p>
------------------	--	--	--

1. Study and understand Operator's Manuals, Safety Signs, and Instructional Decals for tractor & flail mower to prevent misuse, abuse, & accidents. Practice before operating mower in a confined area or near passersby.
 - Learn how to stop engine suddenly in an emergency. Be alert for passersby and especially children.
2. Allow no children on or near implement of tractor. Allow no riders on tractor or implement. Falling off can cause serious injury or death from being runover by tractor or mower or contact with Flail Mower Blades.
3. Operate only with tractor having Roll-Over Protective Structure (ROPS) and with seatbelt fastened securely and snugly to prevent injury and possible death from falling off or tractor overturn. Personal Protective Equipment such as Hard Hat, Safety Glasses, Safety Shoes, and Ear Plugs are recommended.
4. Block up or support raised machine and all lifted components securely before putting hands or feet under or working underneath any lifted component to prevent crushing injury or death from sudden dropping or inadvertent operation of controls. Make certain that area is clear before lowering or folding.
5. Before transporting, put Lift Lever in detent or full-lift position. Install Transport Safety Devices securely on folding implements. Slowdown when turning and on hillsides.
 - Install Restrictor in folding circuit to slow down lowering and unfolding if action is faster than is desirable.
6. Make certain that SMV sign, Warning Lights, and Reflectors are clearly visible. Follow local traffic codes.
7. Never operate with Flail Mower or Folding Section raised if passersby, bystanders or traffic are in the area to reduce possibility of injury or death from objects thrown by Blades under Shields or implement structure.
8. Before dismounting, secure flail mower in transport position or lower to ground.
 - Put tractor in park or set brake, disengage PTO, stop engine, remove key, and wait until noise of rotation has ceased to prevent entanglement in rotating parts which may cause injury or death.
 - Never mount or dismount a moving vehicle. Crushing from runover may cause injury or death.

<p>5. TRANSPORT SAFELY, LOCK UP.</p>	<p>6. USE SMV, LIGHTS, & REFLECTORS.</p>	<p>7. DO NOT OPERATE WITH MOWER OR WING RAISED.</p>	<p>8. DO NOT MOUNT OR DISMOUNT WHILE MOVING.</p>
---	---	--	---

002369

WARRANTY INFORMATION:

Read and understand the complete Warranty Statement found in this Manual. Fill out the Warranty Registration Form in full and return it within 30 Days. Make certain the Serial Number of the Machine is recorded on the Warranty Card and on the Warranty Form that you retain. The use of "will-fit" parts will void your warranty and can cause catastrophic failure with possible injury or death.

PARTS SECTION

PARTS ORDERING GUIDE

The following instructions are offered to help eliminate needless delay and error in processing purchase orders for the equipment in this section.

1. The Parts Section is prepared in logical sequence and grouping of parts that belong to the basic machine featured in this manual. Part Numbers and Descriptions are given to help locate the parts and quantities required.
2. The Purchase Order must include the name and address of the person or organization ordering the parts, who should be charged, and if possible, the serial number of the machine for which the parts are ordered.
3. The Purchase Order must clearly list the quantity of each part, the complete and correct part number (be sure to include all periods), and the basic name of the part.
4. The Manufacturer reserves the right to substitute parts where applicable.
5. Some parts are unlisted items which are special production items not normally stocked and are subject to special handling. Request a quotation for such parts before sending a Purchase Order.
6. The Manufacturer reserves the right to change prices without prior notice.

NOTE: Please refer to The Safety Section in the front of this Manual for the proper Part Number when ordering Replacement Safety Decals.



For maximum safety and to guarantee optimum product reliability, always use genuine Servis-Rhino Parts. The use of inferior replacement parts may cause premature or catastrophic failure which could result in serious injury or death. Direct any questions regarding parts to:



RHINO®
1020 S. Sangamon Ave.
Gibson City, IL 60936
800-446-5158
Email: parts@servis-rhino.com

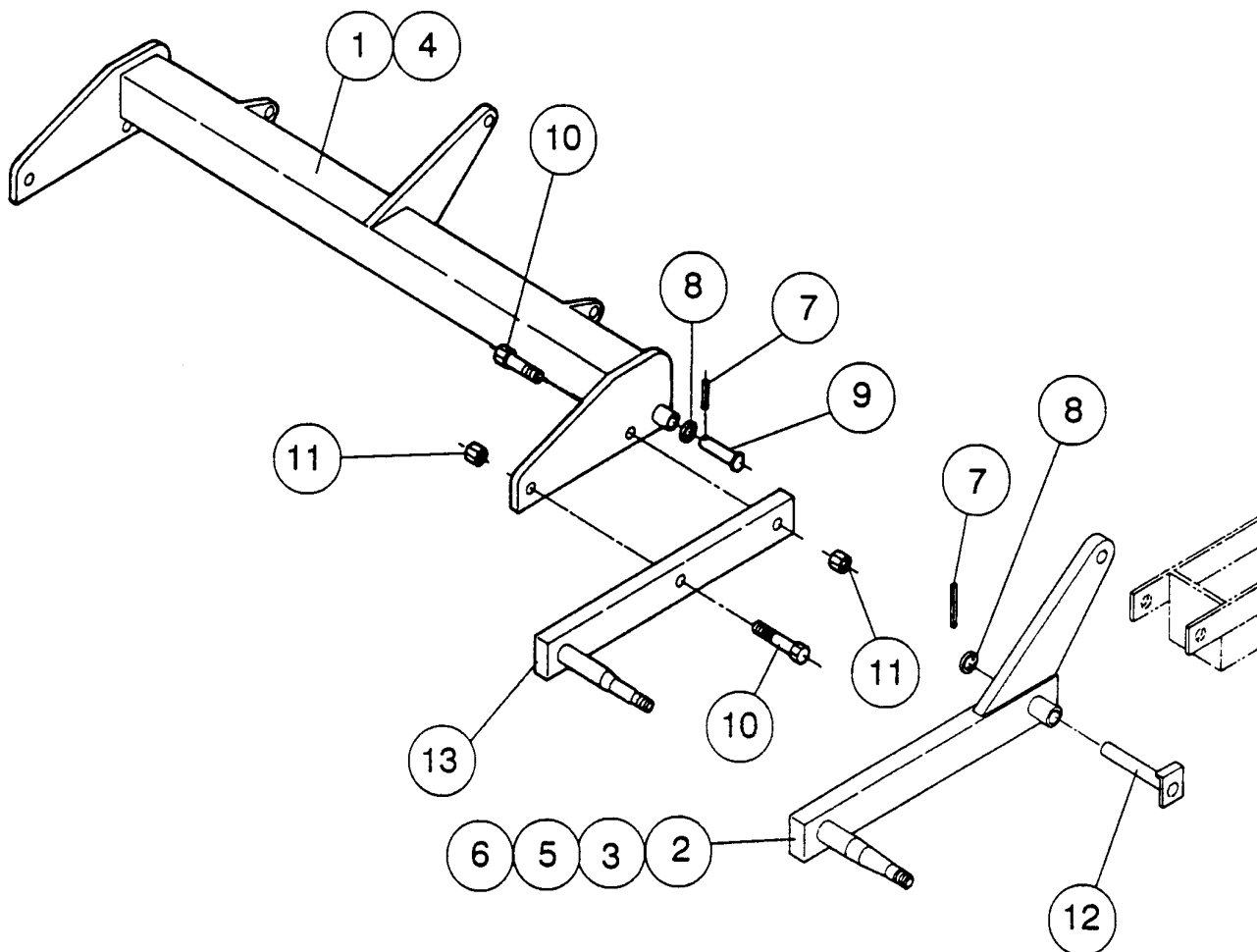
PART NAME INDEX

AXLE ASSEMBLY SN 10001 - 11270 APR 1988 - SEPT 1990.....	5
BLADE PAN ASSEMBLY - CENTER SN 10001 - 11270 APR 1988 - SEPT 1990	6
BLADE PAN ASSEMBLY - WING SN 10001 - 11270 APR 1988 - SEPT 1990	7
CHAIN GUARD ASSEMBLY - FRONT CENTER SECTION SN 10001 - 11270 APR 1988 - SEPT 1990.....	8
CHAIN GUARD ASSEMBLY - FRONT WING SN 10001 - 11270 APR 1988 - SEPT 1990.....	9
CHAIN GUARD ASSEMBLY - REAR CENTER SECTION SN 10001 - 11270 APR 1988 - SEPT 1990.....	10
CHAIN GUARD ASSEMBLY - REAR LEFT WING SN 10001 - 11270 APR 1988 - SEPT 1990	11
CHAIN GUARD ASSEMBLY - REAR RIGHT WING SN 10001 - 11270 APR 1988 - SEPT 1990.....	12
CYLINDER ASSEMBLY - CENTER SECTION LIFT SN 10001 - 11270 APR 1988 - SEPT 1990.....	13
CYLINDER ASSEMBLY - LEVEL LIFT CENTER SECTION 3 x 8 SLAVE SN 10001 - 10526 APR 1988 - MAR.....	16
CYLINDER ASSEMBLY - LEVEL LIFT CENTER SECTION 3-1/2 x 8 SLAVE SN 10527 - 11270 MAR 1989 -	18
CYLINDER ASSEMBLY - LEVEL LIFT LEFT WING 2-1/2 x 8 SLAVE SN 10001 - 10526 APR 1988 - MAR 1.....	14
CYLINDER ASSEMBLY - LEVEL LIFT LEFT WING 3 x 8 SLAVE SN 10527 - 11270 MAR 1989 - SEPT 1990.....	17
CYLINDER ASSEMBLY - LEVEL LIFT RIGHT WING 2-3/4 x 8 SLAVE SN 10001 - 10526 APR 1988 - MAR.....	15
CYLINDER ASSEMBLY - LEVEL LIFT RIGHT WING 3-1/4 x 8 SLAVE SN 10527 - 11270 MAR 1989 - SEPT.....	19
CYLINDER ASSEMBLY - WING SECTION LIFT SN 10001 - 11270 APR 1988 - SEPT 1990.....	20
DEFLECTOR - REAR LEFT AND RIGHT WING SN 10001 - 11270 APR 1988 - SEPT 1990	21
DEFLECTOR - RUBBER CENTER SECTION REAR SN 10001 - 11270 APR 1988 - SEPT 1990	22
DEFLECTOR - RUBBER FRONT CENTER SN 10001 - 11270 APR 1988 - SEPT 1990.....	23
DEFLECTOR - RUBBER FRONT WING SN 10001 - 11270 APR 1988 - SEPT 1990.....	24
DEFLECTOR - RUBBER LH RH CENTER SN 10001 - 11270 APR 1988 - SEPT 1990	25
DRIVELINE ASSEMBLY - CAT 4 WING SN 10001 - 11209 APR 1988 - MAR 1990.....	26
DRIVELINE ASSEMBLY - CAT 4 WING SN 11210 - 11270 APR 1988 - MAR 1990.....	27
DRIVELINE ASSEMBLY - CAT 5 WING SN 10001 - 10979 APR 1988 - MAR 1990.....	28
DRIVELINE ASSEMBLY - CAT 5 WING SN 10980 - 11270 MAR 1990 - SEPT 1990.....	29
DRIVELINE ASSEMBLY - INTERMEDIATE SN 10001 - 11270 APR 1988 - SPET 1990.....	30
DRIVELINE ASSEMBLY - MAIN CV 1000 RPM SN 10001 - 11000 APR 1988 - SEPT 1990	32
DRIVELINE ASSEMBLY - MAIN CV 1000 RPM SN 10001 - 11270 APR 1988 - SEPT 1990.....	33
DRIVELINE ASSEMBLY - MAIN CV 1000 RPM SN 11001 - 11270 APR 1990 - SEPT 1990.....	34
DRIVELINE ASSEMBLY - MAIN CV 540 RPM SN 10001 - 11000 APR 1988 - APR 1990	35
DRIVELINE ASSEMBLY - MAIN CV 540 RPM SN 10001 - 11270 APR 1998 - SEPT 1990.....	36
DRIVELINE ASSEMBLY - MAIN CV 540 RPM SN 11001 - 11270 APR 1990 - SEPT 1990.....	37
DRIVELINE ASSEMBLY - MAIN 44R 540/1000 RPM SN 10001 - 11270 APR 1988 - 1990.....	31
GEARBOX ASSEMBLY - CENTER SECTION 1000 RPM SN 10001 - 11270 APR 1988 - SEPT 1990	44
GEARBOX ASSEMBLY - DIVIDER 1000 RPM SN 10001 - 11100 APR 1988 - MAR 1990	46
GEARBOX ASSEMBLY - DIVIDER 1000 RPM SN 11101 - 11270 MAR 1990 - OCT 1990	48
GEARBOX ASSEMBLY - DIVIDER 540 RPM SN 10001 - 11100 APR 1988 - MAR 1990	50
GEARBOX ASSEMBLY - DIVIDER 540 RPM SN 11101 - 11270 MAR 1990 - OCT 1990.....	52
GEARBOX ASSEMBLY - LEFT WING 1000 RPM SN 10001 - 11270 APR 1988 - SEPT 1990.....	54
GEARBOX ASSEMBLY - 1000 RPM SN 10001 - 11270 APR 1988 - SEPT 1990.....	38
GEARBOX ASSEMBLY - 540 RPM SN 10001 - 11270 APR 1988 - SEPT 1990.....	40, 42
HOSE BRACKET ASSEMBLY SN 10001 - 11270 APR 1988 - SEPT 1990.....	56
HYDRAULIC VALVE ASSEMBLY - CLOSED CENTER SN 10001 - 11270 APR 1988 - SEPT 1990	57
HYDRAULIC VALVE ASSEMBLY - CONVERSION PLUG SN 10001 - 11270 APR 1988 - SEPT 1990.....	58
HYDRAULIC VALVE ASSEMBLY - DETENT W/SPRING ASSEMBLY SN 10001 - 11270 APR 1988 - SEPT 1990.....	59
HYDRAULIC VALVE ASSEMBLY - NON-ADJUSTABLE RELIEF SN 10001 - 11270 APR 1988 - SEPT 1990.....	60, 61
HYDRAULIC VALVE ASSEMBLY - OPEN/CLOSED CENTER VALVE SN 10001 - 11270 APR 1988 - SEPT 1990	62
JACK ASSEMBLY - TOP WIND SN 10001 - 11270 APR 1988 - SEPT 1990	63
LEVEL ROD ASSEMBLY SN 10001 - 11270 APR 1988 - SEPT 1990.....	64
LIFT SCREW SN 10001 - 11270 APR 1988 - SEPT 1990.....	65
MAINFRAME COMPONENTS S/N 10001 - 11270 APR 1988 - SEPT 1990	66
SAFETY SHIELD ASSEMBLY SN 10001 - 11100 APR 1988 - MAR 1990	67
SAFETY SHIELD ASSEMBLY SN 11101 - 11270 MAR 1990 - OCT 1990	68
SKID SHOE & SIDE SKIRT - OFFSET MODELS SN 10001 - 11270 APR 1988 - SEPT 1990	69
SKID SHOE & SIDE SKIRT ASSEMBLY SN 10001 - 11270 APR 1988 - SEPT 1990	71
SKID SHOE - CENTER SECTION SN 10001 - 11270 APR 1988 - SEPT 1990	70
SLIP CLUTCH ASSEMBLY - SERIES 6 SN 10001 - 11270 APR 1988 - SEPT 1990.....	72
SLIP CLUTCH ASSEMBLY - SERIES 8 SN 10001 - 11270 APR 1988 - SEPT 1990.....	73
SPRING POD ASSEMBLY - CENTER AXLE SN 10001 - 11270 APR 1988 - SEPT 1990.....	74
SPRING POD ASSEMBLY - OUTBOARD AXLE SN 10001 - 11270 APR 1988 - SEPT 1990.....	75
TIRE SN 10001 - 11270 APR 1988 - SEPT 1990	76
TONGUE ASSEMBLY USED ON C.V. DRIVELINE SN 10001 - 11270 APR 1988 - SEPT 1990	78
TONGUE ASSEMBLY USED ON 44R DRIVELINE SN 10527 - 11270 MAR 1989 - SEPT 1990	77

PART NAME INDEX

WEIGHT BOX SN 10001 - 11270 APR 1988 - SEPT 1990	79
WHEEL HUB ASSEMBLY SN 10001 - 11270 APR 1988 - SEPT 1990	80
WINCH & HOLD DOWN STRAP SN 10001 - 11270 APR 1988 - SEPT 1990.....	81

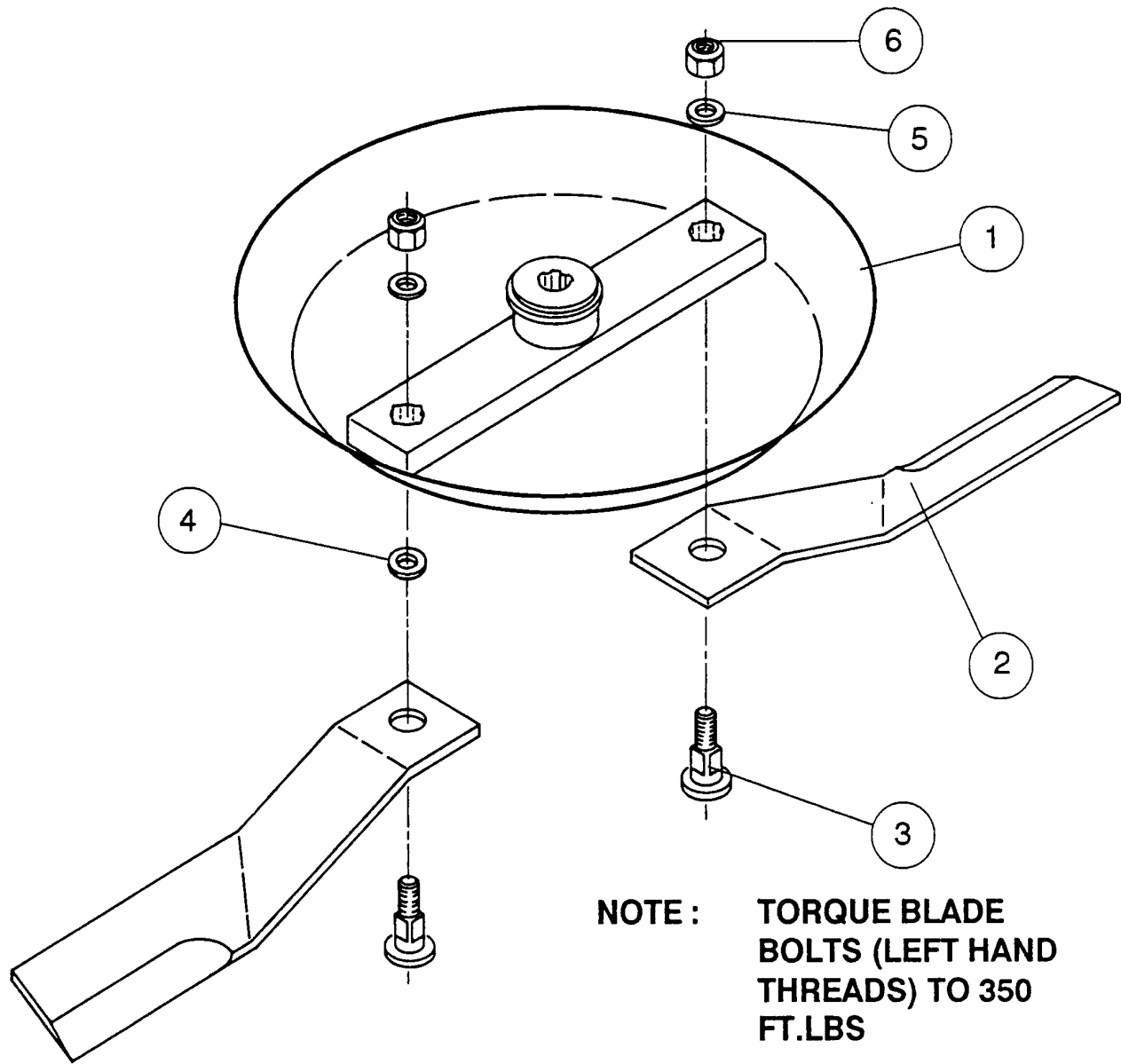
AXLE ASSEMBLY SN 10001 - 11270 APR 1988 - SEPT 1990



ITEM	PART NO.	QTY.	DESCRIPTION
1	00756981	1	CENTER AXLE ASSY SINGLE
	00756976	1	CENTER AXLE ASSY DUAL
2	00756978	1	RIGHT AXLE ASSY
3	00756977	1	LEFT AXLE ASSY
4	00756686	1	WLDMT, CENTER AXLE *
5	00756975	1	OUTBOARD AXLE WLDMT RIGHT
6	00756694	1	OUTBOARD AXLE WLDMT LEFT
7	20BH5012	4	PIN-SPIRAL 5/16 X 1 1/2 *
8	15B1600	4	WASHER 1 SAE P *
9	65106A4	2	WLDMT, AXLE PIVOT PIN *
10	02782000	4	SHCS 3/4 NC 3-3/4 PL8 *
11	00037200	4	NUT TOPLOCK 3/4 NC PLC *
12	00756700	2	PIN-AXLE PIVOT WLDMT
13	00756693	2	CENTER SECTION-SINGLE SPINDLE
14	00756687	2	DOUBLE SPINDLE AXLE ARM

*Parts included in Axle Assembly w/Hubs for Center Axle PN 00756981 or PN 00756976.

BLADE PAN ASSEMBLY - CENTER SN 10001 - 11270 APR 1988 - SEPT 1990

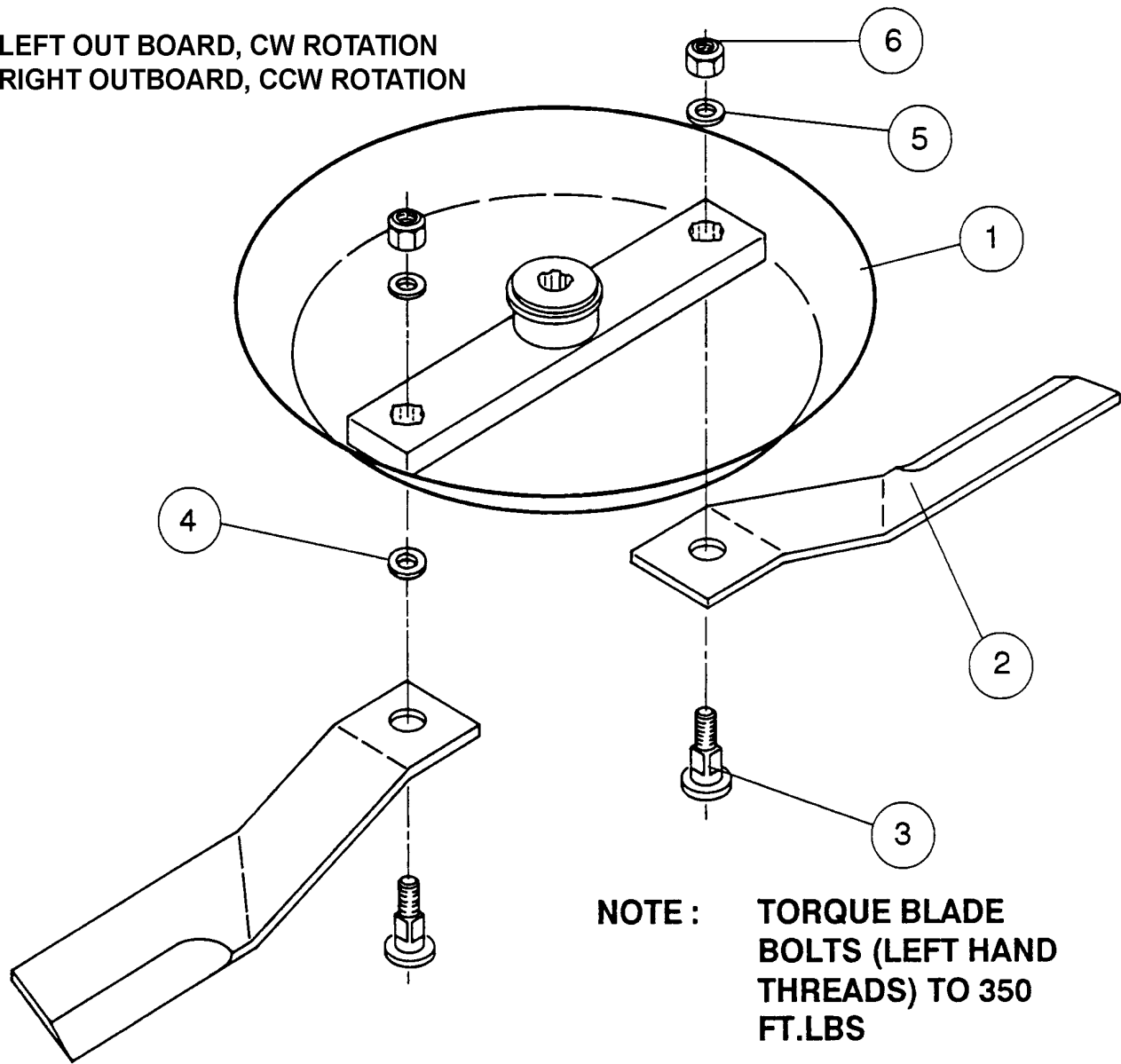


ITEM	PART NO.	QTY.	DESCRIPTION
1	00756698	1	WLDMT, CTR SECTION BLADE PAN
2	0582010330	2	BLADE, CCW FAN
	582013	2	BLADE, CCW/CW FLAT
3	571044	4	BOLT SHOULDER
4	0656150200	2	ORDER 70 MIN HT WASHER
5	571045	2	WASHER
6	5GL16140	2	LOCKNUT 1 -14 LH TLN PL

NOTE: Center Blades CCW Rotation

BLADE PAN ASSEMBLY - WING SN 10001 - 11270 APR 1988 - SEPT 1990

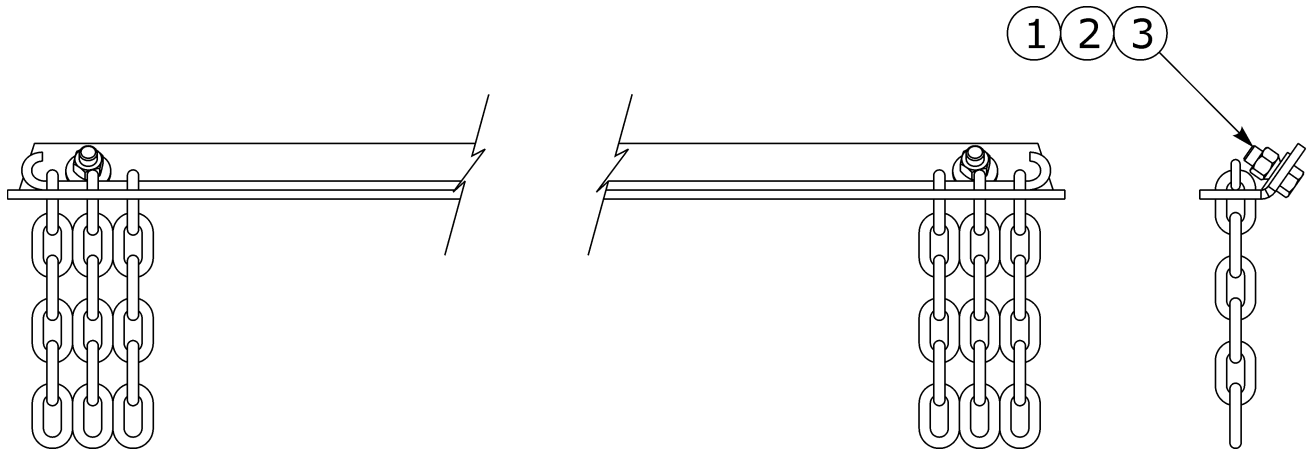
LEFT OUT BOARD, CW ROTATION
 RIGHT OUTBOARD, CCW ROTATION



NOTE : TORQUE BLADE BOLTS (LEFT HAND THREADS) TO 350 FT.LBS

ITEM	PART NO.	QTY.	DESCRIPTION
1	00756699	1	WLDMT, WING BLADE PAN
2	0652010330	2	BLADE, CW FAN
	0622010330	2	BLADE, CCW FAN
	0652010030	4	BLADE, CCW/CW FLAT
3	571044	4	BOLT SHOULDER
4	0656150200	2	ORDER 70 MIN HT WASHER
5	571045	2	WASHER
6	5GL16140	2	LOCKNUT 1 -14 LH TLN PL

CHAIN GUARD ASSEMBLY - FRONT CENTER SECTION SN 10001 - 11270 APR 1988 - SEPT 1990

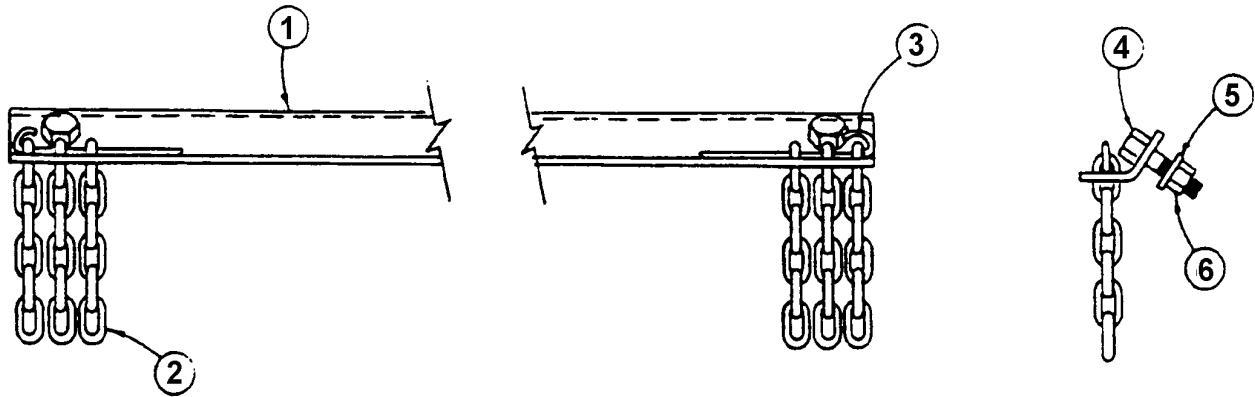


ITEM	PART NO.	QTY.	DESCRIPTION
	00756985	-	CENTER SECTION - FRONT
1	02030700	3	HHCS 1/2-13UNC 1-1/4 PL5
2	00002700	3	FLATWASHER 1/2 PL STD
3	00001800	3	LOCKNUT TLM 1/2 NC PLB

	00756989	-	CENTER SECTION RH FRONT
1	02030700	2	HHCS 1/2-13UNC 1-1/4 PL5
2	00002700	2	FLATWASHER 1/2 PL STD
3	00001800	2	LOCKNUT TLM 1/2 NC PLB

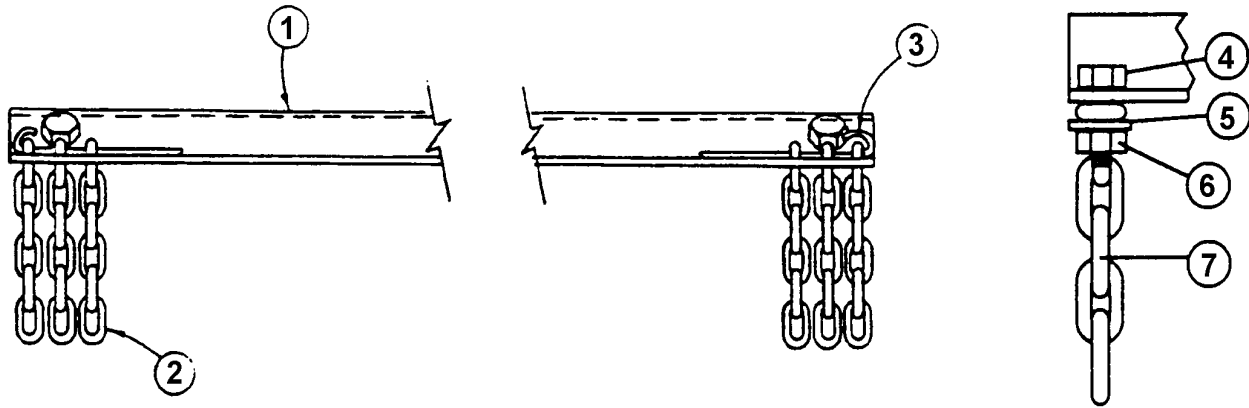
	00756987	-	CENTER SECTION LH FRONT
1	02030700	2	HHCS 1/2-13UNC 1-1/4 PL5
2	00002700	2	FLATWASHER 1/2 PL STD
3	00001800	2	LOCKNUT TLM 1/2 NC PLB

CHAIN GUARD ASSEMBLY - FRONT WING SN 10001 - 11270 APR 1988 - SEPT 1990



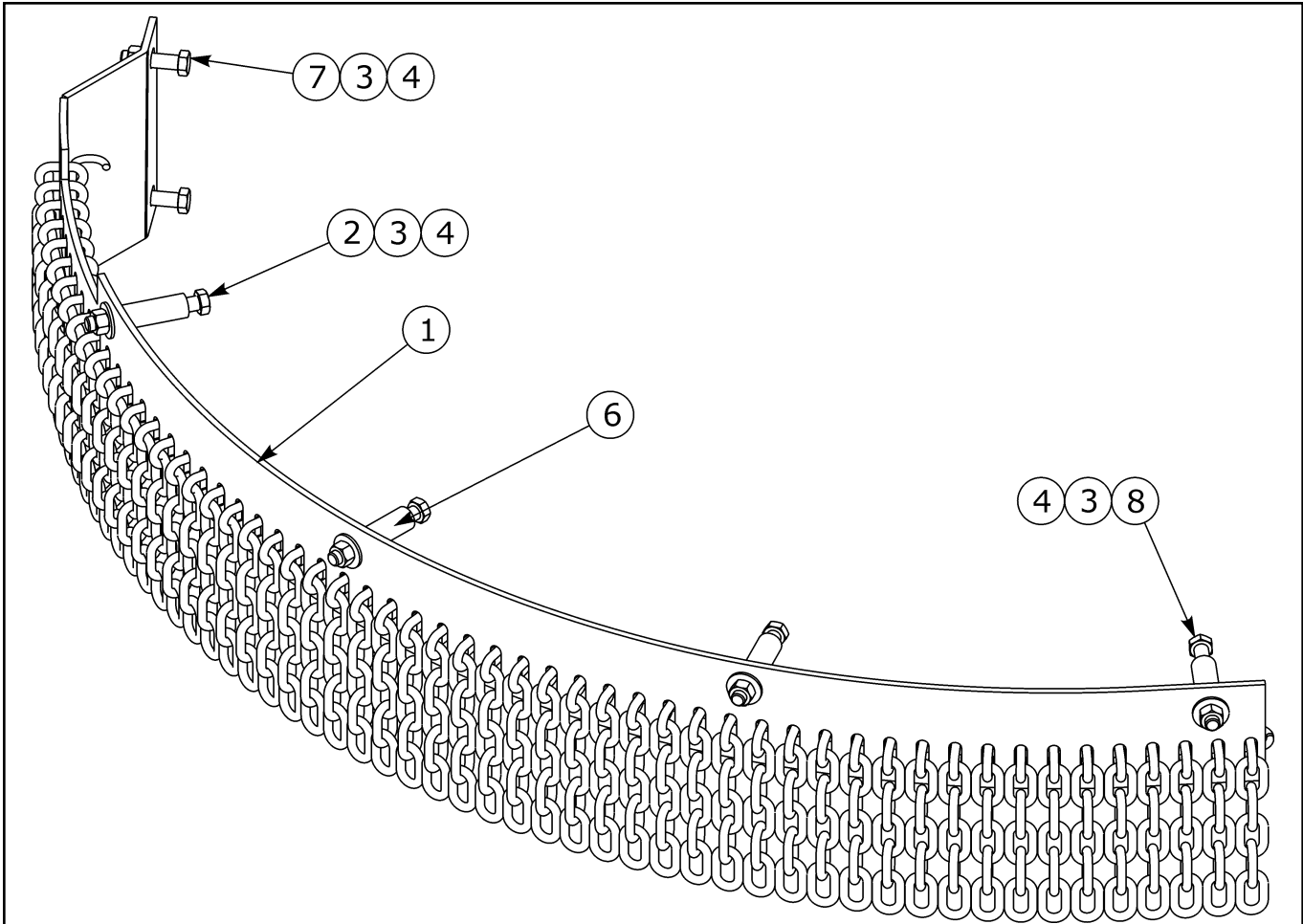
ITEM	PART NO.	QTY.	DESCRIPTION
	00756986	-	WING CHAIN GUARD ASSY
1	00756688	1	WING CHAINGUARD BAR
2	00751126	64	CHAIN 5/16 WLD 6 LINK
3	0652100202	1	ROD CHAIN
4	02030700	7	HHCS 1/2-13UNC 1-1/4 PL5
5	00002700	7	FLATWASHER 1/2 PL STD
6	00001800	7	LOCKNUT TLM 1/2 NC PLB

CHAIN GUARD ASSEMBLY - REAR CENTER SECTION SN 10001 - 11270 APR 1988 - SEPT 1990



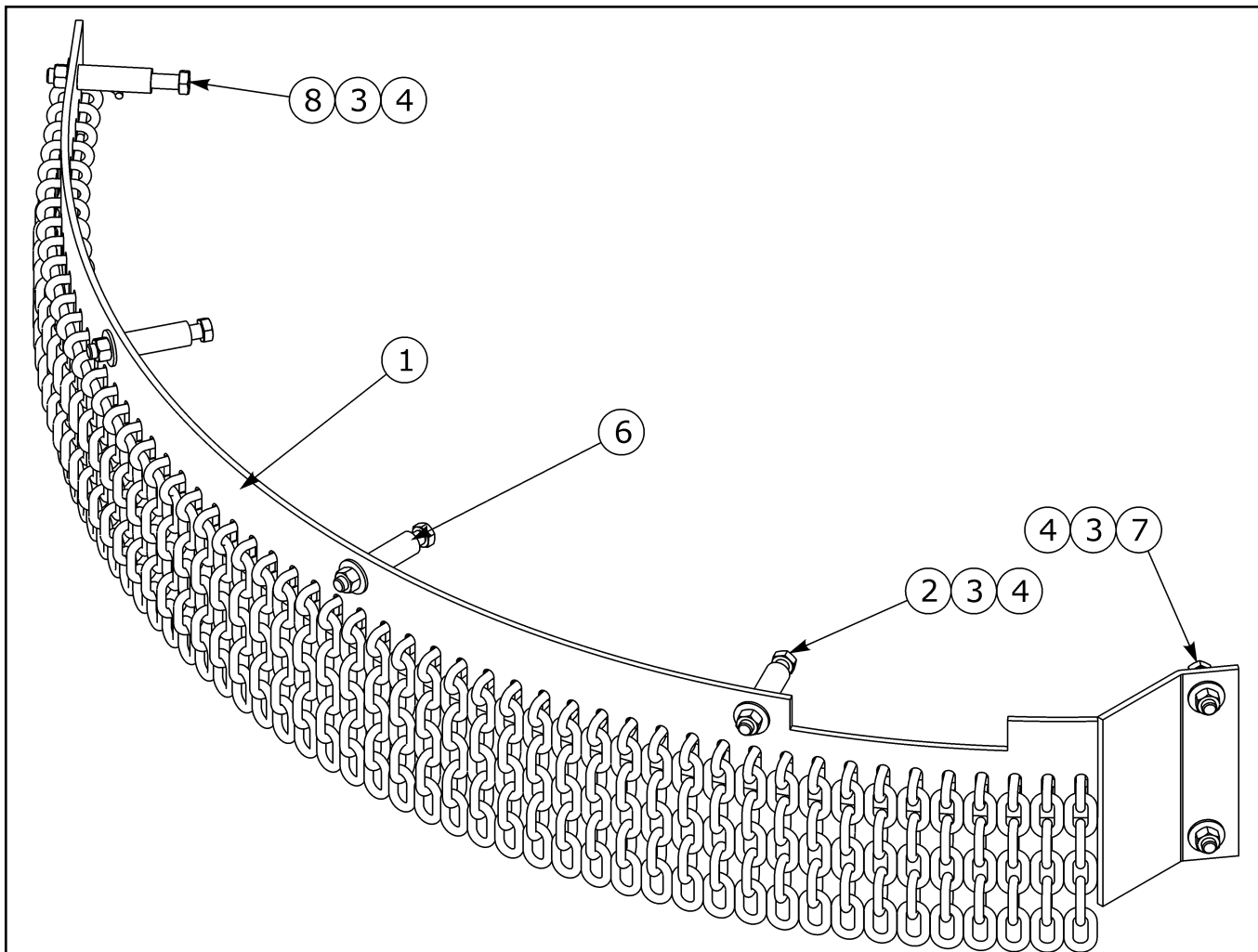
ITEM	PART NO.	QTY.	DESCRIPTION
	00756988	-	CENTER SECTION-REAR CHAINGUARD
1	00756892	1	CENTER SECTION CHAINGUARD BAR
2	00755090	54	CHAIN 5/16- 5 LINKS WLD
3	00757142	1	ROD, CENTER SECT. REAR C.G.
4	00002500	8	SHCS 3/8 NC 1-1/4 PL5
5	00011100	8	FLATWASHER 3/8 PL STD
6	00015800	8	NUT, TOPLOCK 3/8NC PLB
7	00751126	2	CHAIN 5/16 WLD 6 LINK

CHAIN GUARD ASSEMBLY - REAR LEFT WING SN 10001 - 11270 APR 1988 - SEPT 1990



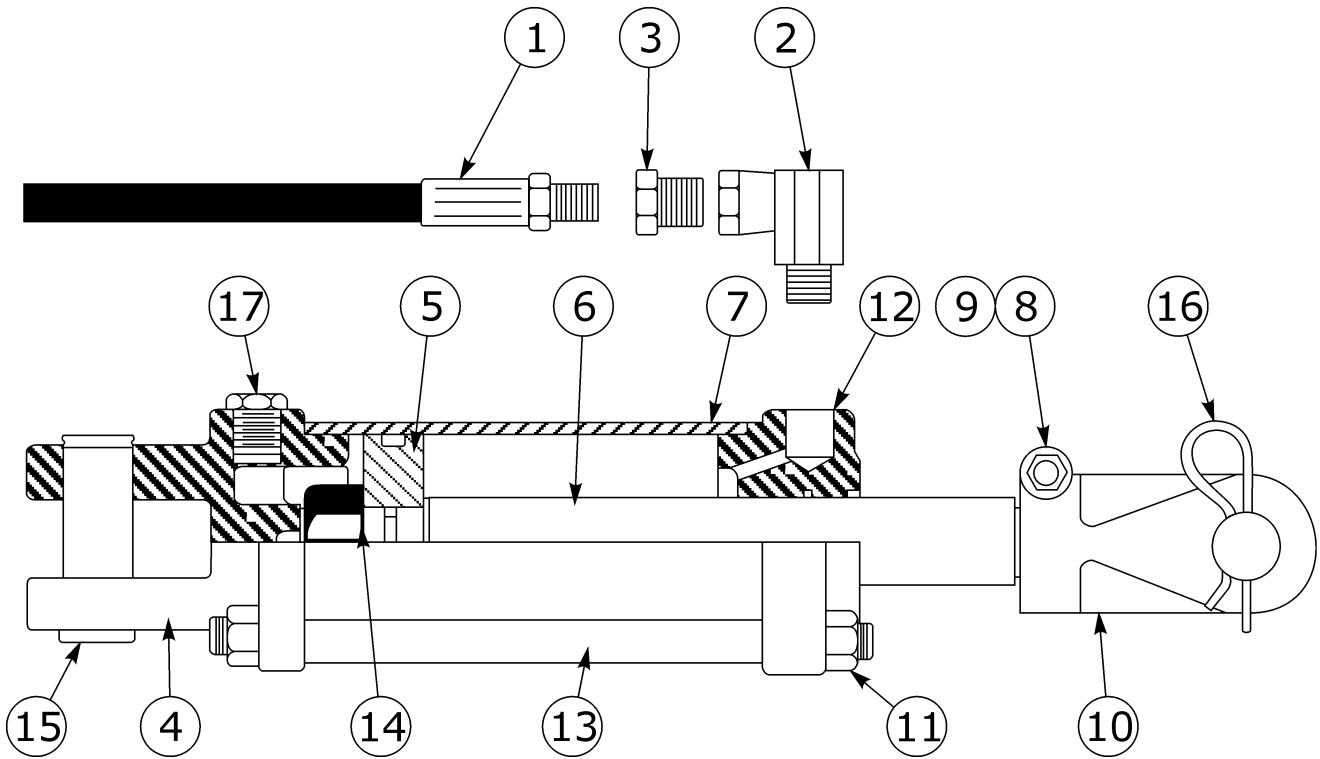
ITEM	PART NO.	QTY.	DESCRIPTION
1	0652110300	1	LEFT REAR WING CHN GD
2	0652110310	1	MOUNTING BRKT, LEFT
3	00751126	110	CHAIN 5/16 WLD 6 LINK
4	0652110201	2	ROD CHAIN
5	00013300	2	HEXB 1/2 NC 2 PL5
6	00002700	10	FLATWASHER 1/2 PL STD
7	00001800	10	LOCKNUT TLM 1/2 NC PLB
8	00756876	2	WING REAR COVER
9	652053	8	SPACER
10	00752680	6	HHCS 1/2-13UNC X 4LG PL5
12	7A81336	2	C/S1/2 X 4-1/2 NC PL5
13	02030700	4	HHCS 1/2-13UNC 1-1/4 PL5

CHAIN GUARD ASSEMBLY - REAR RIGHT WING SN 10001 - 11270 APR 1988 - SEPT 1990



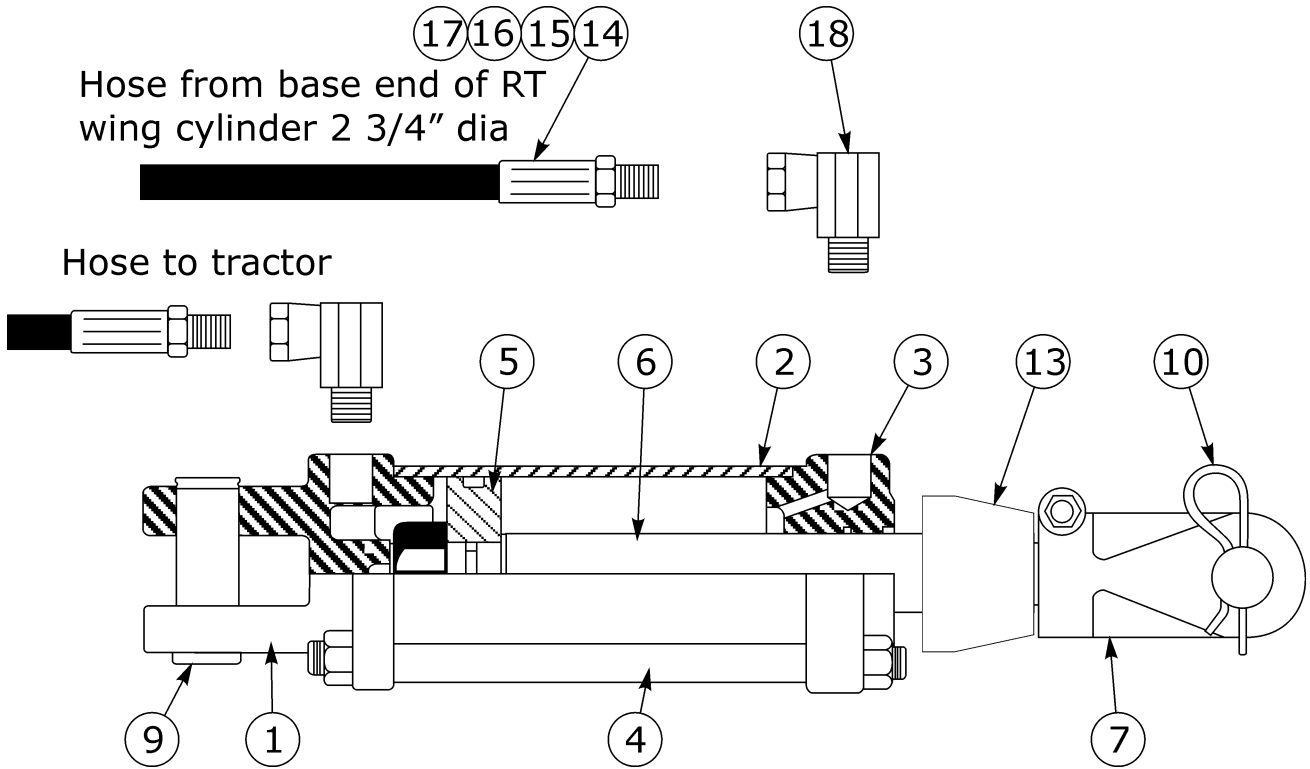
ITEM	PART NO.	QTY.	DESCRIPTION
1	0652110200	1	RT REAR CHN GD ASSY
2	0652110210	1	MOUNTING BRKT, RIGHT
3	00751126	110	CHAIN 5/16 WLD 6 LINK
4	0652110201	2	ROD CHAIN
5	00013300	2	HEXB 1/2 NC 2 PL5
6	00002700	10	FLATWASHER 1/2 PL STD
7	00001800	10	LOCKNUT TLM 1/2 NC PLB
8	00756876	2	WING REAR COVER
9	652053	8	SPACER
10	00752680	6	HHCS 1/2-13UNC X 4LG PL5
12	7A81336	2	C/S1/2 X 4-1/2 NC PL5
13	02030700	4	HHCS 1/2-13UNC 1-1/4 PL5

CYLINDER ASSEMBLY - CENTER SECTION LIFT SN 10001 - 11270 APR 1988 - SEPT 1990



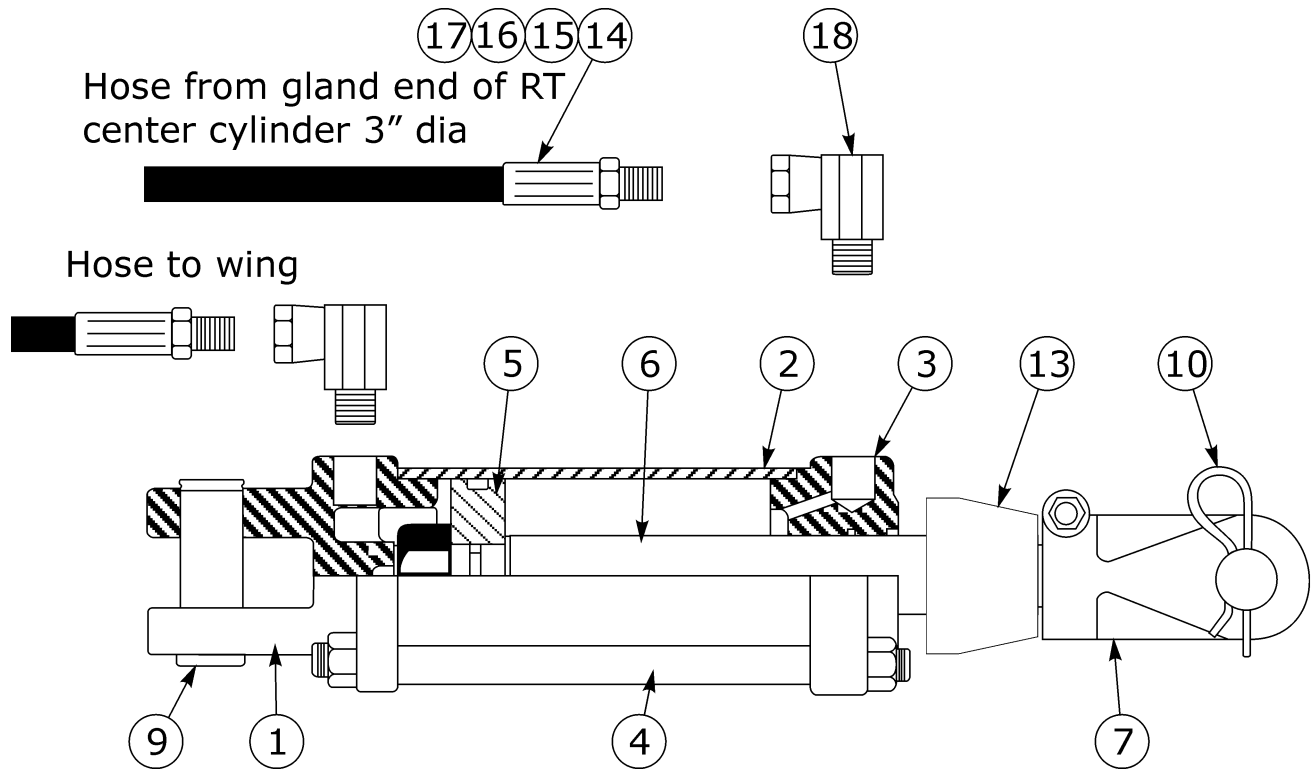
ITEM	PART NO.	QTY.	DESCRIPTION
	8727	-	HYDRAULIC CYLINDER, T
1	B651302	1	HOSE #6 - 8MP - 8MP - 180LG
2	94514	1	ADAPTER, HYD, ELBOW SWIVEL
3	7329	1	ADAPTER, HYD, STGHT RESTRICTOR
4	8755	1	CAP (HYD. CYLINDER)
5	8751	1	PISTON
6	8753	1	PISTON ROD
7	8752	1	TUBE (HYD. CYLINDER)
8	00013901	1	NUT HEX 3/8 NC PL
9	00023100	1	HHCS 3/8 -16UNC 1-1/2 PL5
10	8754	1	CLEVIS, OUTER
11	4690W	8	INSTALL SHEET-BELT TENSIONER&S
12	8757	1	HEAD
13	8756	4	TIE ROD
14	4675W	1	MANUAL-SR320 P/T HAY RAKE
15	8354	2	PIN-HYD. CYLINDER
16	162012	2	PIN, COTTER
17	6511324	1	BREATHER, 1/2 SQ HD CORED
18	8763	-	SEAL KIT

CYLINDER ASSEMBLY - LEVEL LIFT LEFT WING 2-1/2 x 8 SLAVE SN 10001 - 10526 APR 1988 - MAR 1



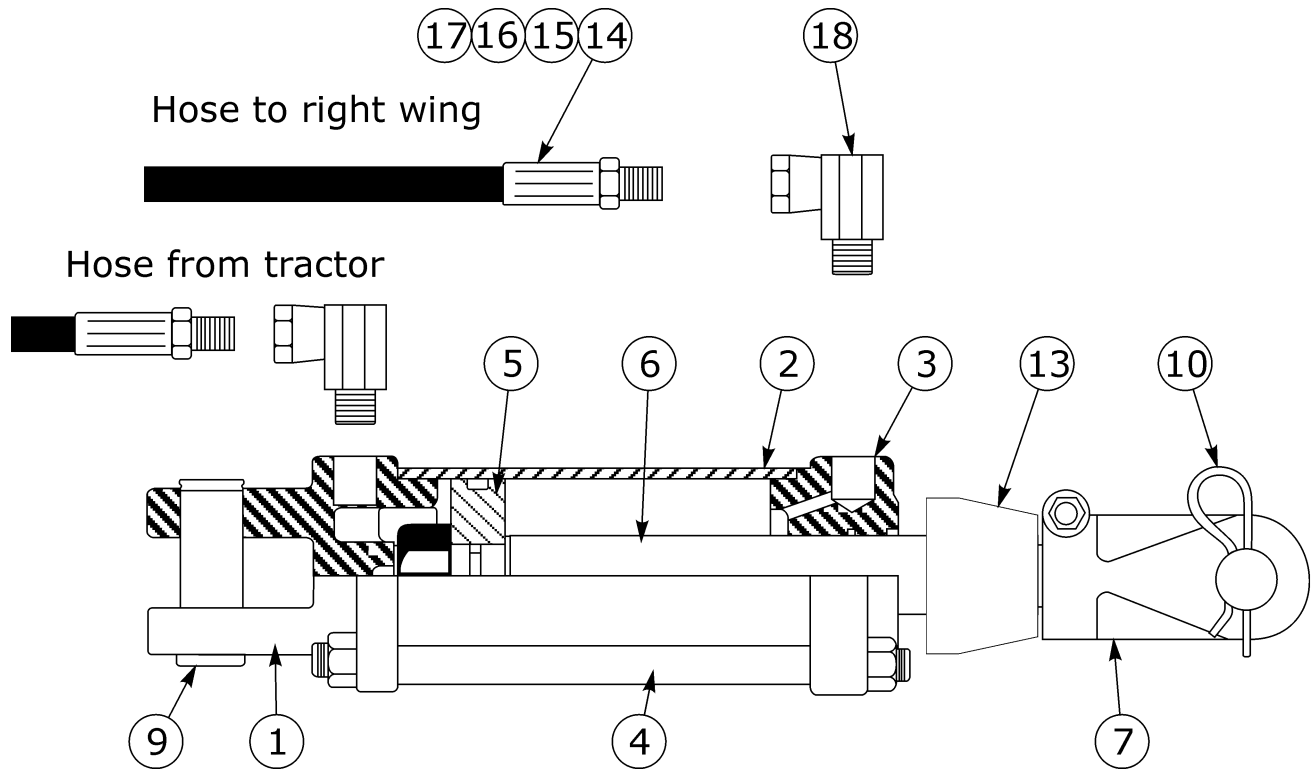
ITEM	PART NO.	QTY.	DESCRIPTION
	0652141500	-	CLY, LEVEL LIFT
1	0652141506	1	CLEVIS,BASE
2	0652141502	1	BARREL
3	0652141503	1	GLAND
4	0652140305	4	TIEROD,HYD CYL W/NUT
5	0652141404	1	PISTON
6	0652141501	1	ROD
7	0652140307	1	CLEVIS, ROD
8	0652141540	1	SEAL KIT
9	691356	2	PIN
10	163016	4	PIN, COTTER 3/16 X 2
11	0652141311	4	ADP HYD STGHT 8MB - 8FP
14	691302	1	HYD HOSE-3/8-8W/(1/2FITTING
15	B651302	1	HOSE #6 - 8MP - 8MP - 180LG
16	6513015	1	HOSE #6 - 8 MP - 8 MP 216 LG
17	B65113A2	1	HYD HOSE ONE
18	94514	6	ADAPTER, HYD, ELBOW SWIVEL

CYLINDER ASSEMBLY - LEVEL LIFT RIGHT WING 2-3/4 x 8 SLAVE SN 10001 - 10526 APR 1988 - MAR



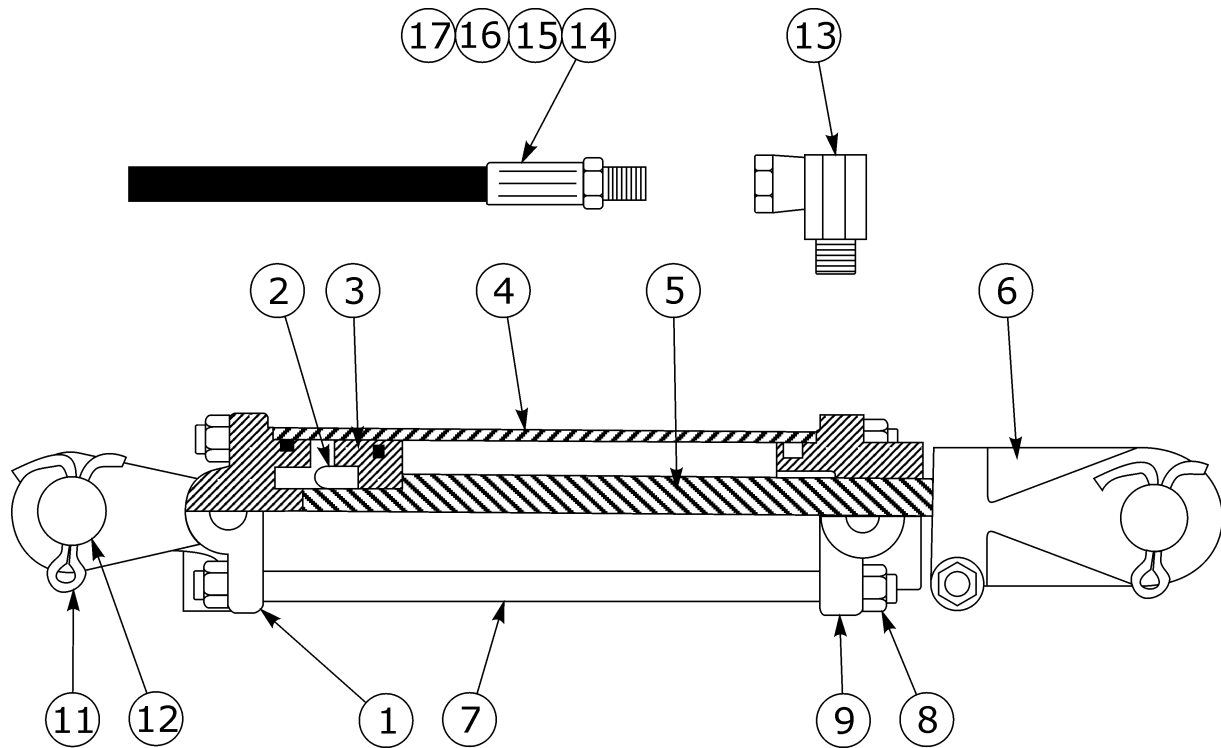
ITEM	PART NO.	QTY.	DESCRIPTION
	0652141400	-	HYD CYL KIT
1	0652141406	1	CLEVIS,BASE
2	0652141402	1	TUBE HYD CYL
3	0652141403	1	GLAND,ROD END
4	0652140305	4	TIEROD,HYD CYL W/NUT
5	0652141404	1	PISTON
6	0652141401	1	ROD,PISTON
7	0652140307	1	CLEVIS, ROD
8	0652141440	1	SEAL KIT
9	691356	2	PIN
10	163016	4	PIN, COTTER 3/16 X 2
11	0652141311	2	ADP HYD STGHT 8MB - 8FP
14	691302	1	HYD HOSE-3/8-8W/(1/2FITTING
15	B651302	1	HOSE #6 - 8MP - 8MP - 180LG
16	6513015	1	HOSE #6 - 8 MP - 8 MP 216 LG
17	B65113A2	1	HYD HOSE ONE
18	94514	6	ADAPTER, HYD, ELBOW SWIVEL

CYLINDER ASSEMBLY - LEVEL LIFT CENTER SECTION 3 x 8 SLAVE SN 10001 - 10526 APR 1988 - MAR



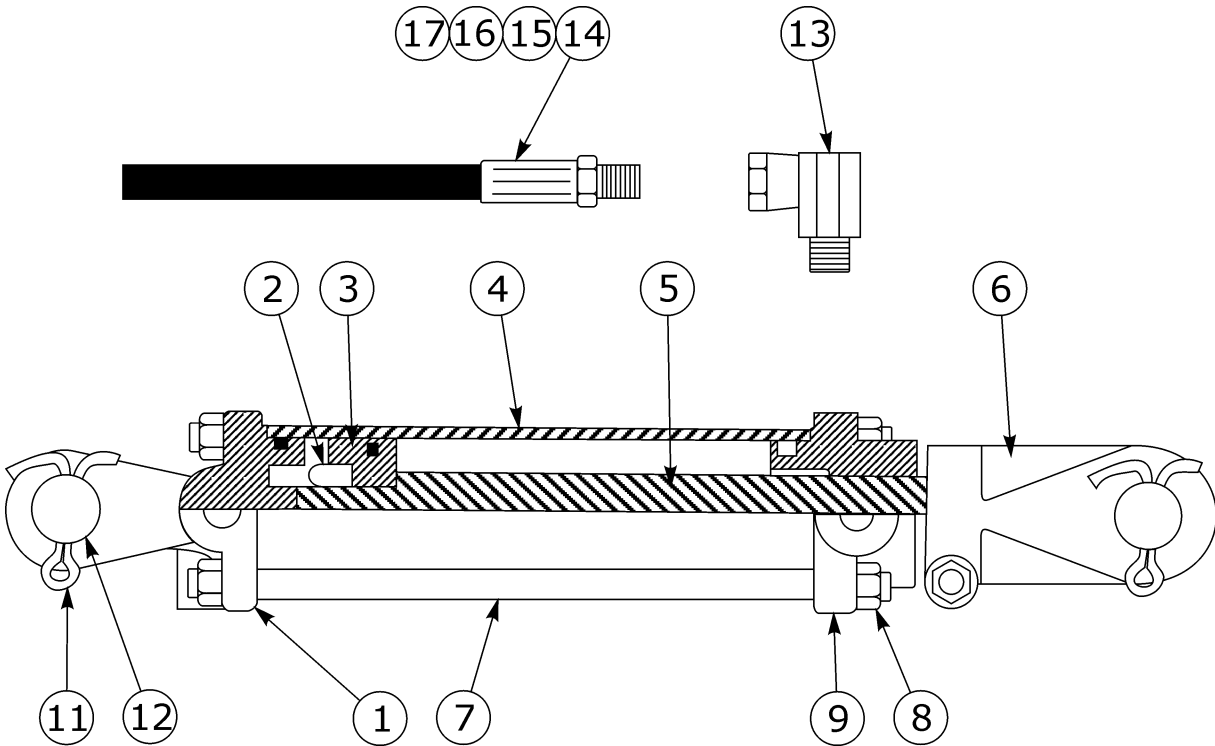
ITEM	PART NO.	QTY.	DESCRIPTION
	0652141300	-	HYD CYL KIT
1	0652141306	1	BUTT
2	0652141302	1	BARREL
3	0652141303	1	GLAND
4	0652140305	4	TIEROD, HYD CYL W/NUT
5	0652141304	1	PISTON
6	0652141301	1	ROD
7	0652140307	1	CLEVIS, ROD
8	0652141340	1	SEAL KIT
9	691356	2	PIN
10	163016	4	PIN, COTTER 3/16 X 2
13	0652140320	1	STROKE CONTROL
14	691302	1	HYD HOSE-3/8-8W/(1/2 FITTING
15	B651302	1	HOSE #6 - 8MP - 8MP - 180LG
16	6513015	1	HOSE #6 - 8 MP - 8 MP 216 LG
17	B65113A2	1	HYD HOSE ONE
18	94514	6	ADAPTER, HYD, ELBOW SWIVEL

CYLINDER ASSEMBLY - LEVEL LIFT LEFT WING 3 x 8 SLAVE SN 10527 - 11270 MAR 1989 - SEPT 1990



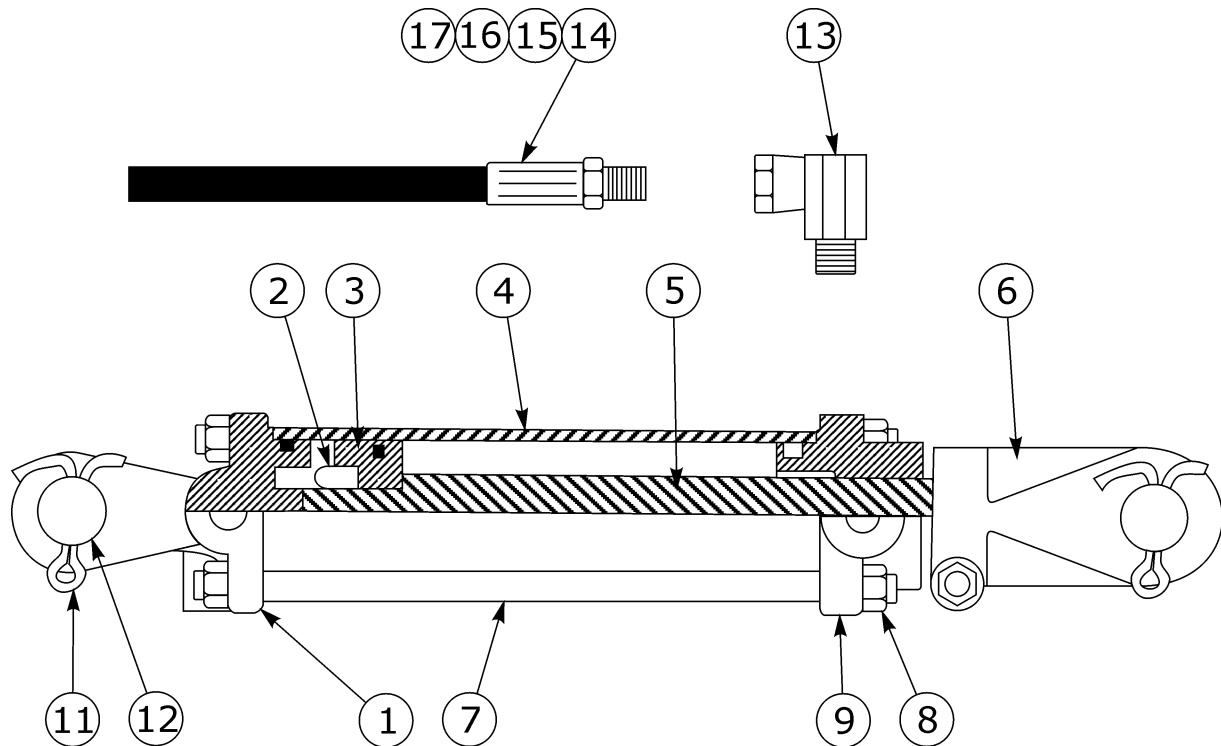
ITEM	PART NO.	QTY.	DESCRIPTION
	8721	-	CYL HYD LEVEL LIFT 3 DIA
1	8784	1	CAP (HYD. CYLINDER)
2	4675M	1	NUT PISTON
3	8780	1	PISTON
4	8781	1	TUBE
5	8753	1	PISTON ROD
6	8754	1	CLEVIS, OUTER
7	8785	4	TIE ROD
8	4376	8	NUT HEX 1/2-20 NF PL
9	8786	1	HEAD
10	8766	1	SEAL KIT
11	8354	2	PIN-HYD. CYLINDER
12	163016	4	PIN, COTTER 3/16 X 2
13	94514	1	ADAPTER, HYD, ELBOW SWIVEL
14	691302	1	HYD HOSE-3/8-8W/(1/2FITTING
15	B651302	1	HOSE #6 - 8MP - 8MP - 180LG
16	6513015	1	HOSE #6 - 8 MP - 8 MP 216 LG
17	B65113A2	1	HYD HOSE ONE

CYLINDER ASSEMBLY - LEVEL LIFT CENTER SECTION 3-1/2 x 8 SLAVE SN 10527 - 11270 MAR 1989 -



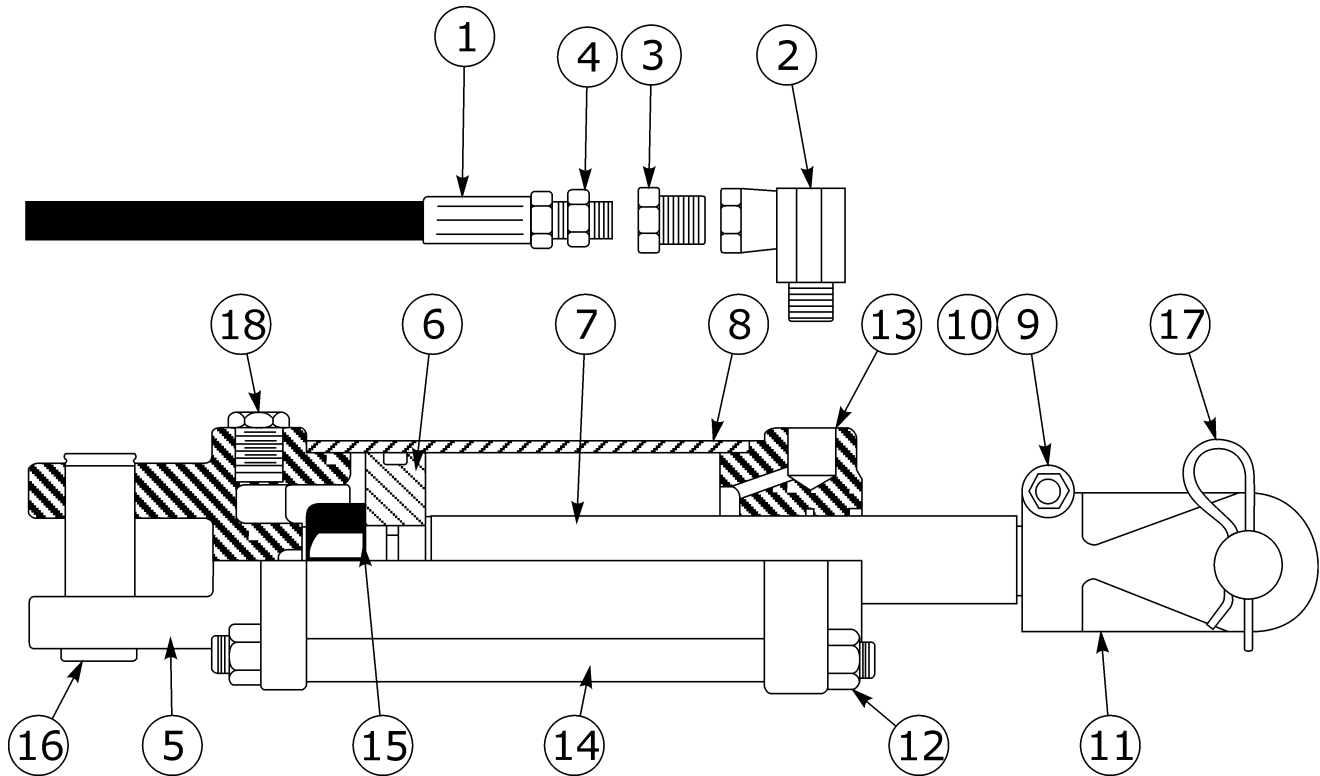
ITEM	PART NO.	QTY.	DESCRIPTION
	8719	-	HYDRAULIC CYLINDER
1	8772	1	CAP
2	4705M	1	NUT PISTON
3	8768	1	PISTON
4	8769	1	TUBE
5	4706	1	PISTON ROD
6	8754	1	CLEVIS, OUTER
7	8773	4	TIE ROD
8	4689	8	NUT HEX 9/16-18NF PL
9	8774	1	HEAD
10	8764	1	SEAL KIT
11	8354	2	PIN-HYD. CYLINDER
12	163016	4	PIN, COTTER 3/16 X 2
13	94514	1	ADAPTER, HYD, ELBOW SWIVEL
14	691302	1	HYD HOSE-3/8-8W/(1/2FITTING
15	B651302	1	HOSE #6 - 8MP - 8MP - 180LG
16	6513015	1	HOSE #6 - 8 MP - 8 MP 216 LG
17	B65113A2	1	HYD HOSE ONE

CYLINDER ASSEMBLY - LEVEL LIFT RIGHT WING 3-1/4 x 8 SLAVE SN 10527 - 11270 MAR 1989 - SEPT



ITEM	PART NO.	QTY.	DESCRIPTION
	8720	-	HYDRAULIC CYLINDER
1	8778	1	CAP
2	4705M	1	NUT PISTON
3	8775	1	PISTON
4	8776	1	TUBE
5	4706	1	PISTON ROD
6	8754	1	CLEVIS, OUTER
7	8773	4	TIE ROD
8	4689	8	NUT HEX 9/16-18NF PL
9	8779	1	HEAD
10	8765	1	SEAL KIT
11	8354	2	PIN-HYD. CYLINDER
12	163016	4	PIN, COTTER 3/16 X 2
13	94514	1	ADAPTER, HYD, ELBOW SWIVEL
14	691302	1	HYD HOSE-3/8-8W/(1/2FITTING
15	B651302	1	HOSE #6 - 8MP - 8MP - 180LG
16	6513015	1	HOSE #6 - 8 MP - 8 MP 216 LG
17	B65113A2	1	HYD HOSE ONE

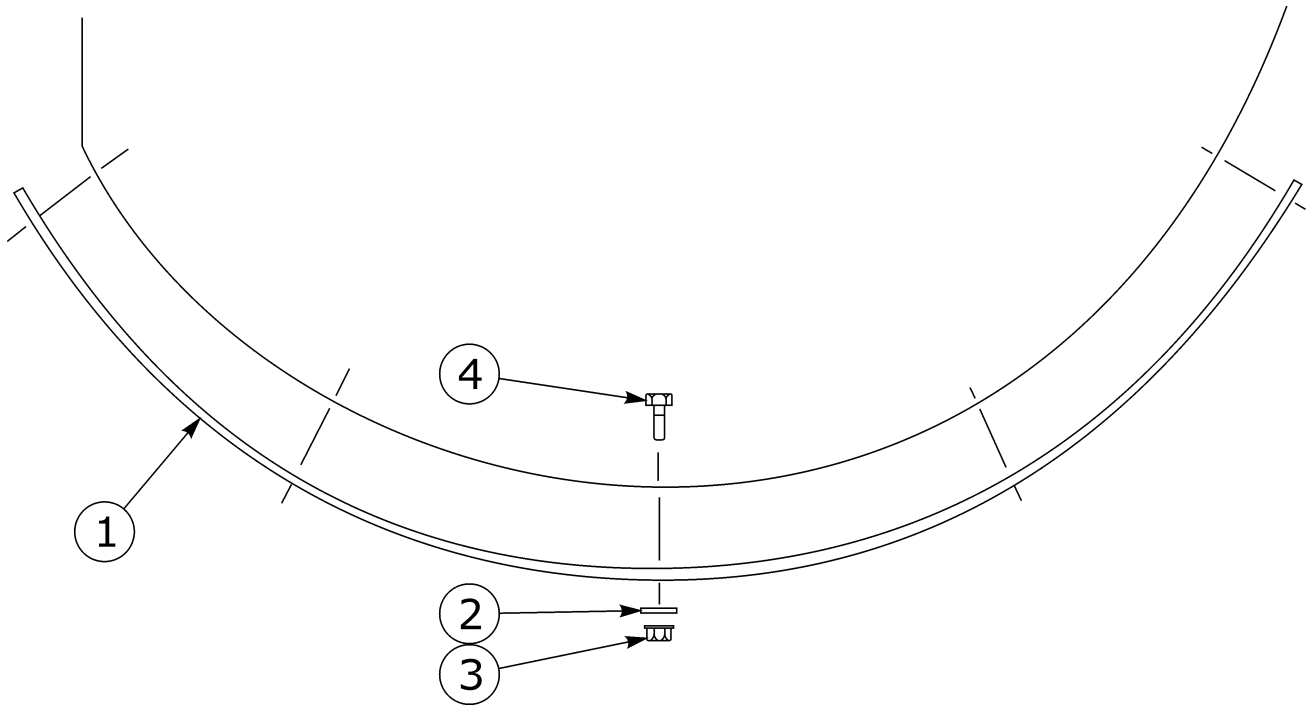
CYLINDER ASSEMBLY - WING SECTION LIFT SN 10001 - 11270 APR 1988 - SEPT 1990



ITEM	PART NO.	QTY.	DESCRIPTION
	8728	-	HYDRAULIC CYLINDER
1	00756496	1	HOSE-#4-6MP-6MP-216LG
2	94517	1	ADAPTER, HYD, ELBOW SWIVEL
3	7329	1	ADAPTER, HYD, STGHT RESTRICTOR
4	94507	1	ADAPTER, HYD, REDUCER
5	8755	1	CAP (HYD. CYLINDER)
6	8751	1	PISTON
7	8759	1	PISTON ROD
8	8758	1	TUBE (HYD. CYLINDER)
9	00013901	1	NUT HEX 3/8 NC PL
10	00023100	1	HHCS 3/8 -16UNC 1-1/2 PL5
11	8754	1	CLEVIS, OUTER
12	4690W	8	INSTALL SHEET-BELT TENSIONER&S
13	8757	1	HEAD
14	8761	4	TIE ROD
15	4675W	1	MANUAL-SR320 P/T HAY RAKE
16	8354	2	PIN-HYD. CYLINDER
17	162012	2	PIN, COTTER
18	6511324	1	BREATHER, 1/2 SQ HD CORED
19	8763	-	SEAL KIT
20			SEAL KIT

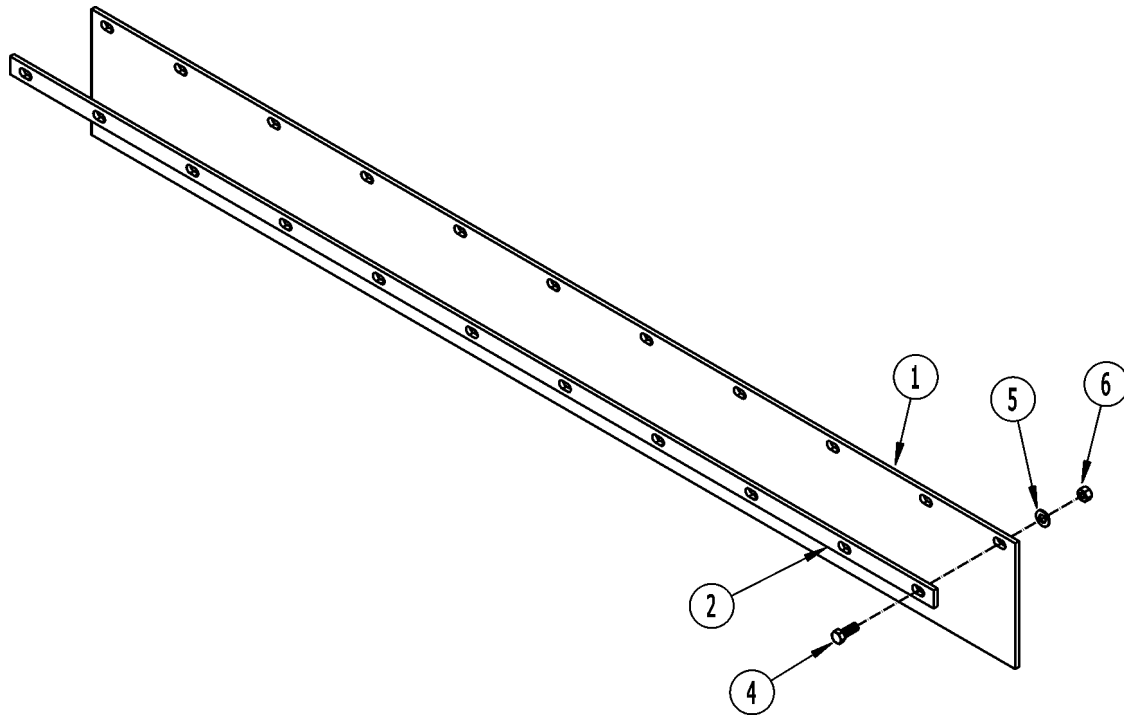
NOTE: This cylinder is used on non-hydraulic level lift wing.

DEFLECTOR - REAR LEFT AND RIGHT WING SN 10001 - 11270 APR 1988 - SEPT 1990



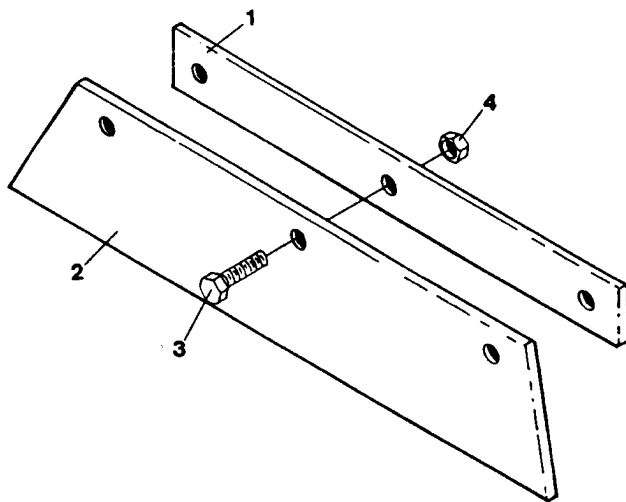
ITEM	PART NO.	QTY.	DESCRIPTION
1	00756876	2	WING REAR COVER
2	00002700	10	FLATWASHER 1/2 PL STD
3	00001800	10	LOCKNUT TLM 1/2 NC PLB
4	02030700	4	HHCS 1/2-13UNC 1-1/4 PL5

DEFLECTOR - RUBBER CENTER SECTION REAR SN 10001 - 11270 APR 1988 - SEPT 1990



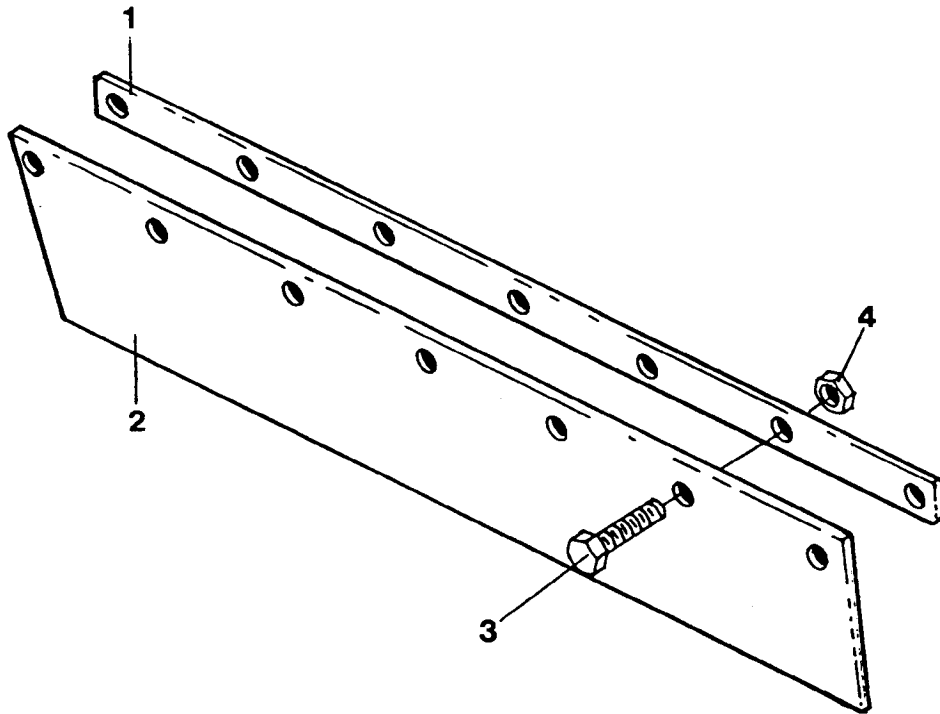
ITEM	PART NO.	QTY.	DESCRIPTION
	00756993	-	REAR RUBBER SHIELD KIT
1	00756877	1	REAR FLAP-CENTER SECTION
2	00756875	1	FLAP HOLD DOWN BAR
4	63066100	11	HHCS 3/8NCX1-1/2
5	63065400	11	FLATWASHER 3/8 PL HEAVY
6	00015800	11	NUT, TOPLOCK 3/8NC PLB

DEFLECTOR - RUBBER FRONT CENTER SN 10001 - 11270 APR 1988 - SEPT 1990



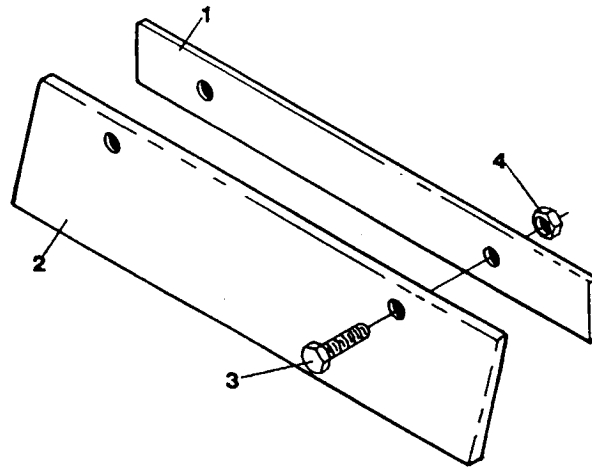
ITEM	PART NO.	QTY.	DESCRIPTION
1	00758261	1	BAND RUBBER GD SR15 FRT CTR
2	00758263	1	PANEL RUBBER GD SR15 FRT CTR
3	02030700	3	HHCS 1/2-13UNC 1-1/4 PL5
4	00001800	3	LOCKNUT TLM 1/2 NC PLB

DEFLECTOR - RUBBER FRONT WING SN 10001 - 11270 APR 1988 - SEPT 1990



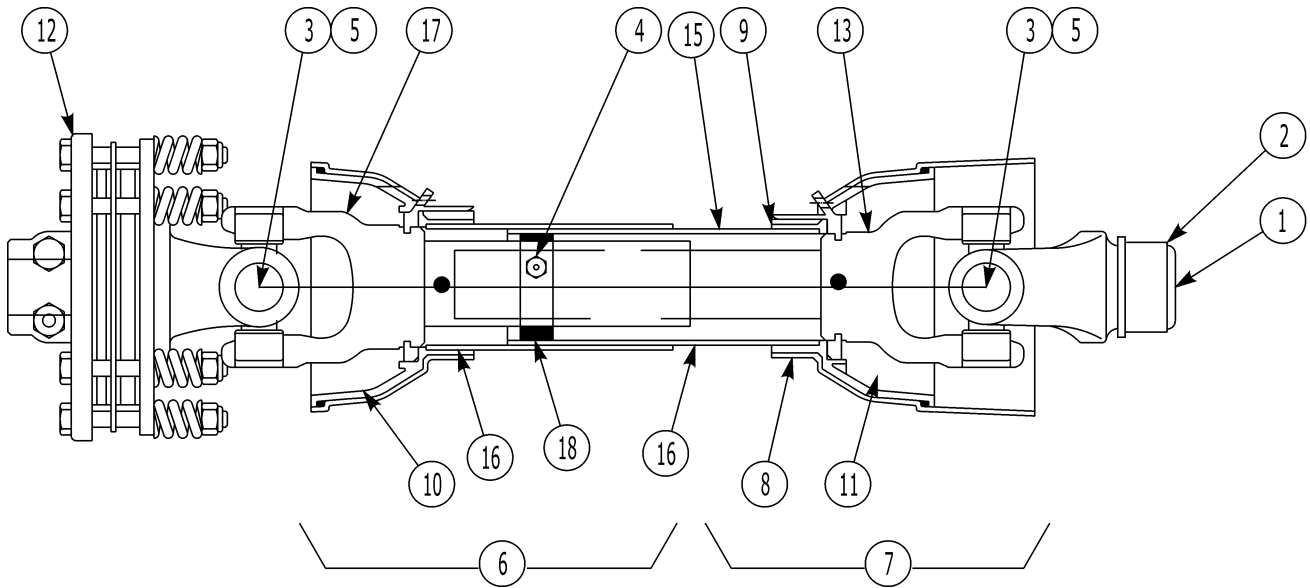
ITEM	PART NO.	QTY.	DESCRIPTION
1	00758264	1	PANEL RUBBER GD SR15 WING
2	00758259	1	BAND RUBBER GD SR15 FRT WG
3	02030700	7	HHCS 1/2-13UNC 1-1/4 PL5
4	00001800	7	LOCKNUT TLM 1/2 NC PLB

DEFLECTOR - RUBBER LH RH CENTER SN 10001 - 11270 APR 1988 - SEPT 1990



ITEM	PART NO.	QTY.	DESCRIPTION
1	00758262	1	PANEL RUBBER GD SR15 L&R CTR
2	00758260	1	BAND, RUBBER GD SR15 LH & RH
3	02030700	2	HHCS 1/2-13UNC 1-1/4 PL5
4	00001800	2	LOCKNUT TLM 1/2 NC PLB

DRIVELINE ASSEMBLY - CAT 4 WING SN 10001 - 11209 APR 1988 - MAR 1990

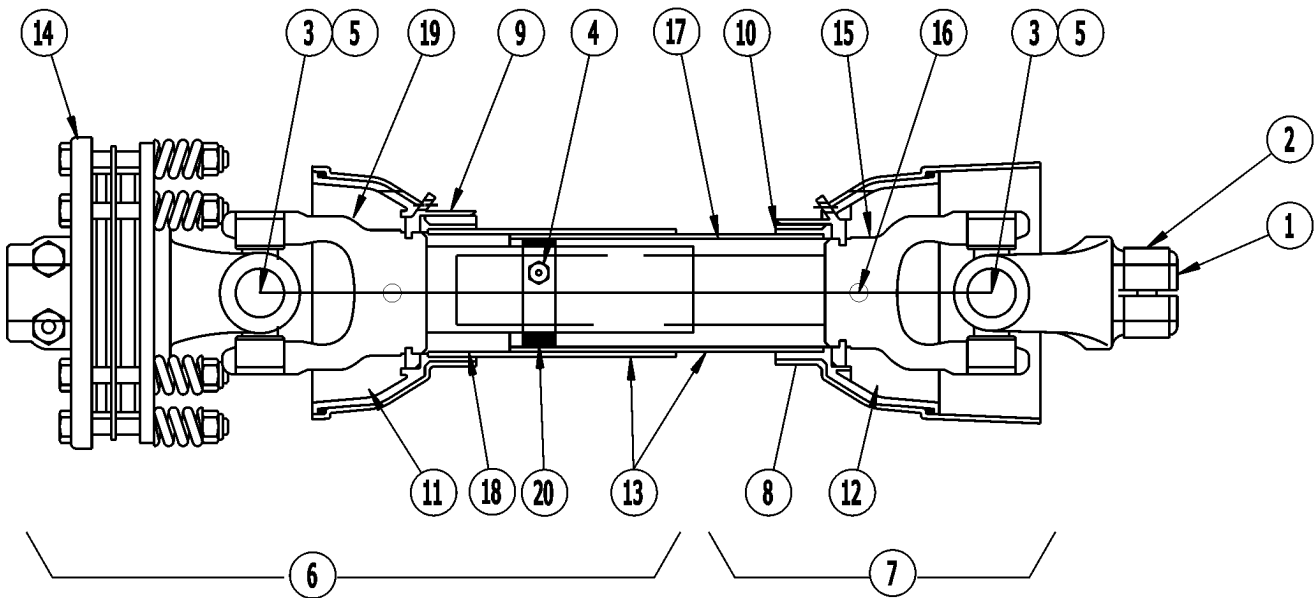


ITEM	PART NO.	QTY.	DESCRIPTION
	00756583	-	DRIVESHAFT, WING
1	00757051	1	YOKE 1-3/4-20 #6 SLIDE COLLAR
2	00757052	1	KIT-SLIDE COLLAR REPAIR
3	00752896	2	CROSS BEARING SERIES 6
4	00754335	1	GREASE FITTING FOR TUBE
5	00755610	2	GREASE FTG.ELBOW 8MMP1.0 90
6	00775330	1	DRIVELINE IMPLEMENT HALF CAT 4
7	00775313	1	DRIVELINE TRACTOR HALF CAT 4
8	00759217	6	SCREW 1/2 LG END
9	8393	1	BEARING RING
10	00775319	1	SHIELD OUTER HALF
11	00775332	1	SHIELD INNER HALF
12	00756075	1	CLUTCH & YOKE SERIES 6
13	00754153	1	YOKE INNER #6
14	00754167	1	PIN-ROLL #6 10MM X 75MM OUTER
15	00755444	1	TUBE, INNER 15-IV WING DS
16	00755445	2	TUBE OUTER 15-IV WING DS
17	00754154	1	YOKE-OUTER TUBE #6
18	00761075	1	SPRING,CENTERING

NOTE: Triangle Shaped Shaft & Tube; This Driveline has yellow shields.

DRIVELINE ASSEMBLY - CAT 4 WING SN 11210 - 11270 APR 1988 - MAR 1990

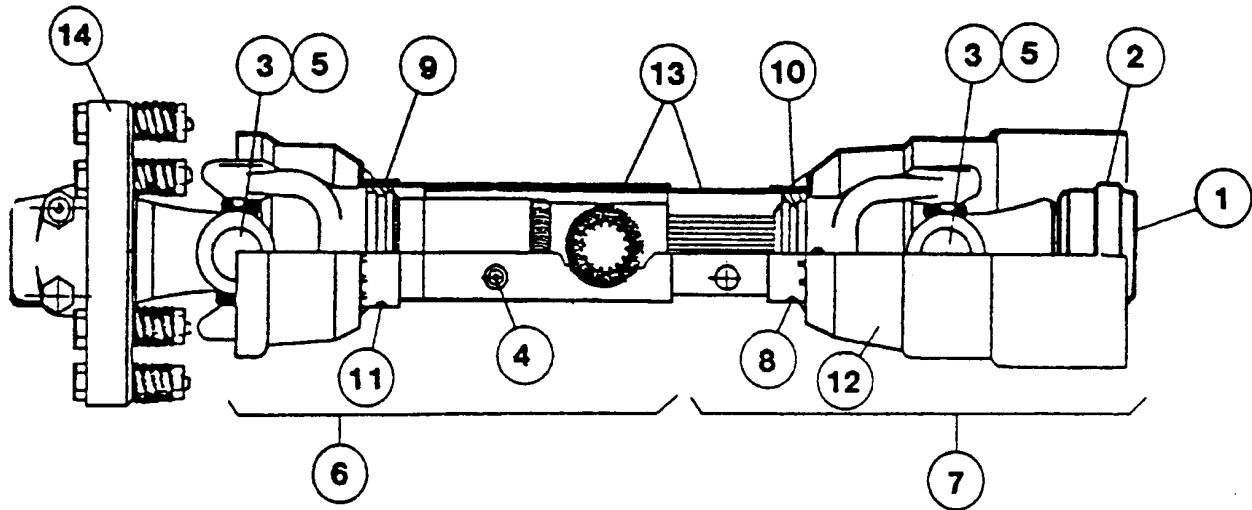
NOTE: Triangle Shape Shaft & Tube
 NOTE: This Driveline has black shields



ITEM	PART NO.	QTY.	DESCRIPTION
	00759213	-	DRIVELINE
1	00757051	1	YOKE 1-3/4-20 #6 SLIDE COLLAR
2	00757052	1	KIT-SLIDE COLLAR REPAIR
3	00752896	2	CROSS BEARING SERIES 6
4	00754335	1	GREASE FITTING FOR TUBE
5	00755610	2	GREASE FTG.ELBOW 8MMP1.0 90
6	00775330	1	DRIVELINE IMPLEMENT HALF CAT 4
7	00775313	1	DRIVELINE TRACTOR HALF CAT 4
8	00759217	2	SCREW 1/2 LG END
9	8393	1	BEARING RING
10	00775319	1	SHIELD OUTER HALF
11	00775332	1	SHIELD INNER HALF
12	00756075	1	CLUTCH & YOKE SERIES 6
13	00754153	1	YOKE INNER #6
14	00754167	1	PIN-ROLL #6 10MM X 75MM OUTER
15	00755444	1	TUBE, INNER 15-IV WING DS
16	00755445	2	TUBE OUTER 15-IV WING DS
17	00754154	1	YOKE-OUTER TUBE #6
18	00761075	1	SPRING,CENTERING

NOTE: Triangle Shaped Shaft & Tube; This Driveline has black shields.

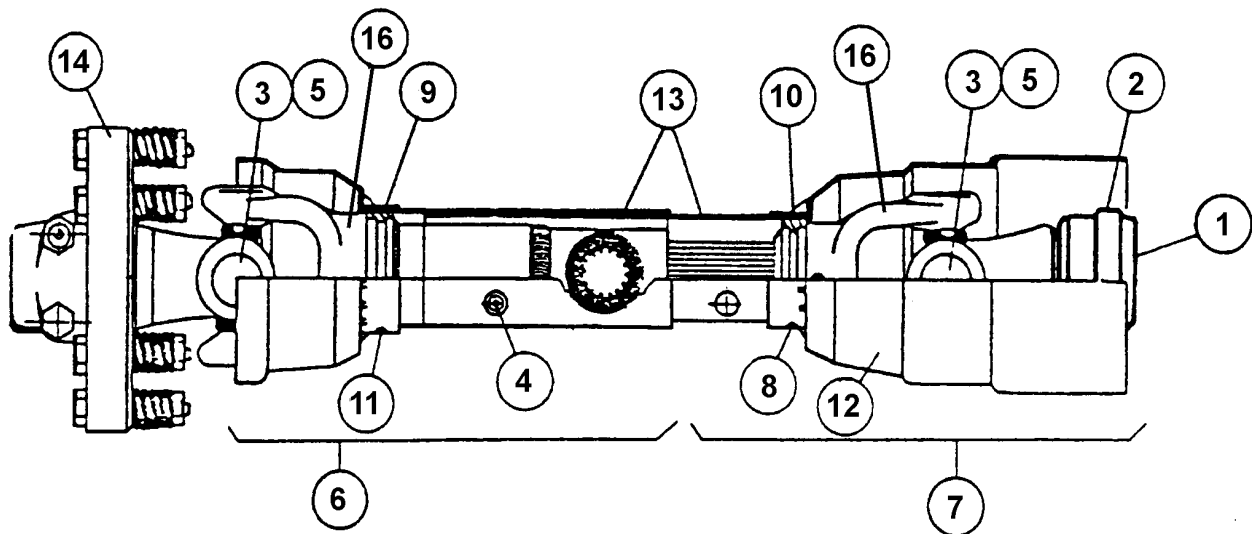
DRIVELINE ASSEMBLY - CAT 5 WING SN 10001 - 10979 APR 1988 - MAR 1990



ITEM	PART NO.	QTY.	DESCRIPTION
	00756582	-	DRIVELINE,WING SERIES 80 W/SPL
1	00753908	1	YOKE, SERIES 8 1-3/4-20 SPLIN
2	00757052	1	KIT-SLIDE COLLAR REPAIR
3	00753068	2	CROSS BEARING SERIES 8
4	00754335	1	GREASE FITTING FOR TUBE
5	00755610	2	GREASE FTG.ELBOW 8MMP1.0 90
6	00756539	1	HALF DRIVESHAFT W/CLUTCH FOR
7	00757057	1	PTO MALE WITH SAFETY GUARD
8	00754330	6	BOLT, NYLON - SAFETY SHIELD
9	00754332	1	LOCKING COLLAR OUTER SHIELD
10	00754331	1	LOCKING COLLAR INNER SHIELD
11	00753892	1	SHIELD KIT OUTER
12	00753893	1	SHIELD KIT INNER
13	00754369	1	SHIELD COMPLETE
14	00756173	1	CLUTCH & YOKE SERIES 8
15	00757379	1	YOKE W/INNER SHAFT
16	00757378	1	YOKE & TUBE ASSY OUTER

NOTE: Spline Shaft and Tube are no longer available as Assembly; Replace with PN 00757375 Assembly.

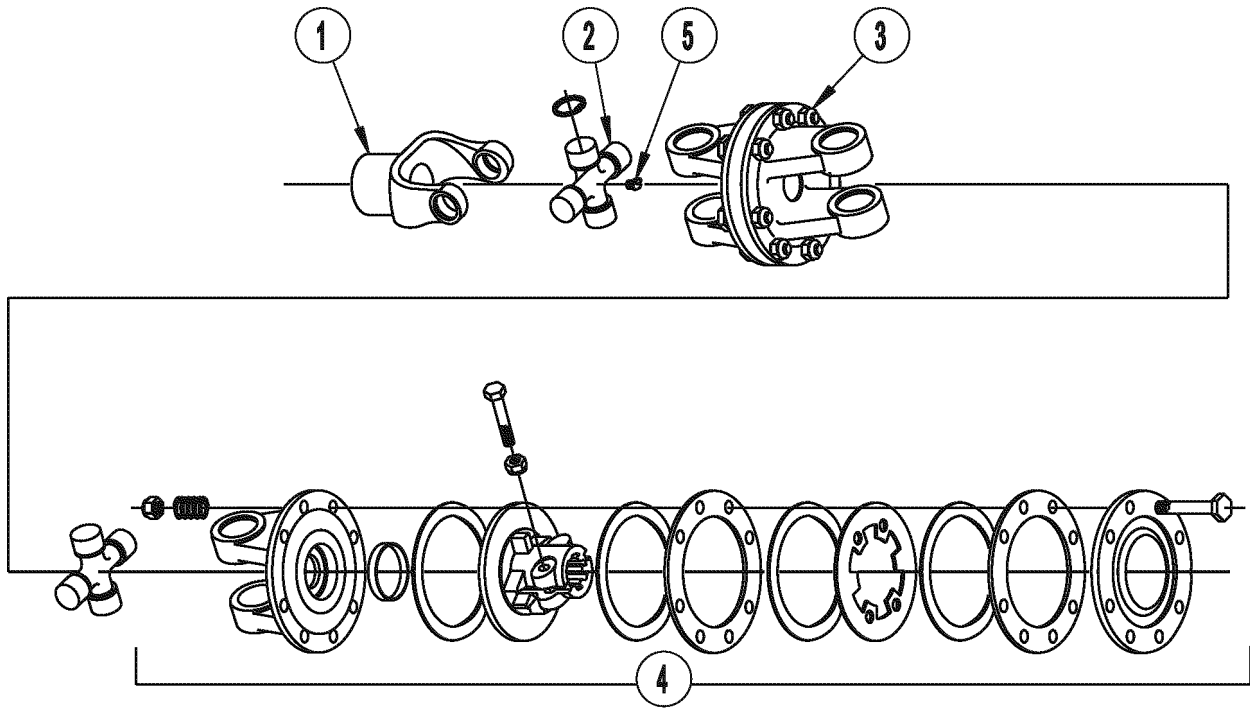
DRIVELINE ASSEMBLY - CAT 5 WING SN 10980 - 11270 MAR 1990 - SEPT 1990



ITEM	PART NO.	QTY.	DESCRIPTION
	00757375	-	DRIVELINE 44R W/1-3/4X20
1	00753908	1	YOKE, SERIES 8 1-3/4-20 SPLIN
2	00757052	1	KIT-SLIDE COLLAR REPAIR
3	00753068	2	CROSS BEARING SERIES 8
4	00754335	1	GREASE FITTING FOR TUBE
5	00755610	2	GREASE FTG.ELBOW 8MMP1.0 90
6	00757376	1	PTO OUTER W/SAFETY GUARD
7	00757377	1	D/L INNER HALF W/SAFETY GUARD
8	00754330	6	BOLT, NYLON - SAFETY SHIELD]
9	00754332	1	LOCKING COLLAR OUTER SHIELD
10	00754331	1	LOCKING COLLAR INNER SHIELD
11	00753892	1	SHIELD KIT OUTER
12	00753893	1	SHIELD KIT INNER
13	00754369	1	SHIELD COMPLETE
14	00756173	1	CLUTCH & YOKE SERIES 8
15	00757379	1	YOKE W/INNER SHAFT
16	00757378	1	YOKE & TUBE ASSY OUTER

NOTE: Triangle Shaped Shaft & Tube; This Driveline has yellow shields.

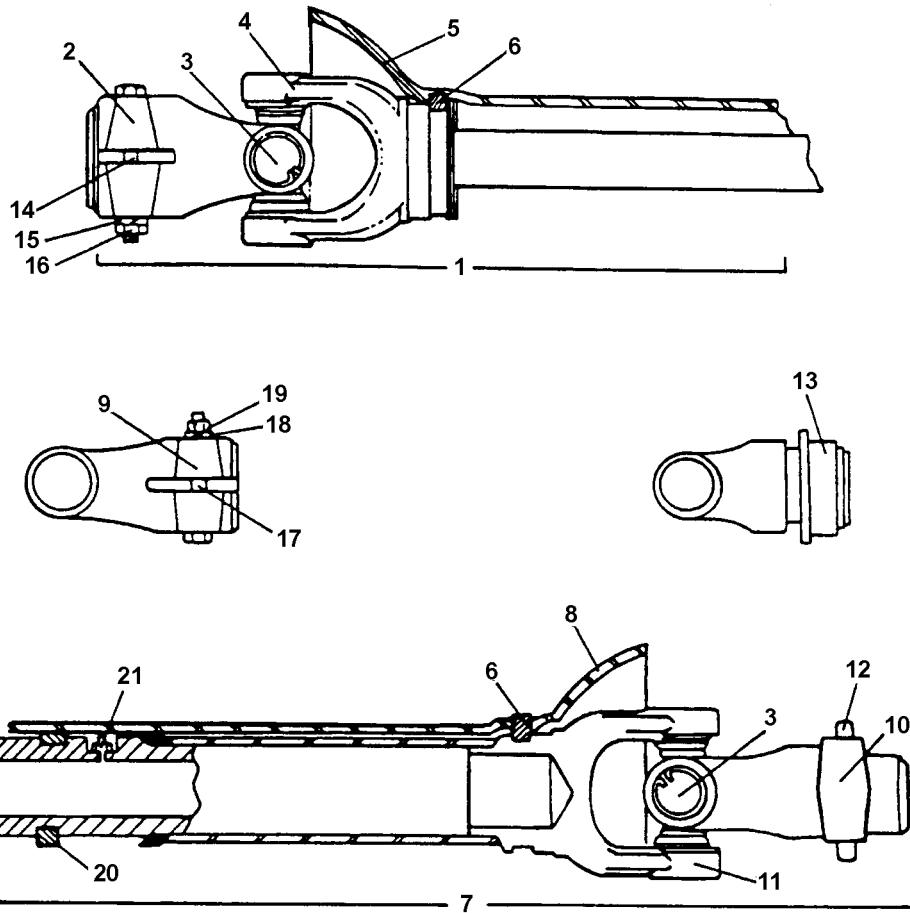
DRIVELINE ASSEMBLY - INTERMEDIATE SN 10001 - 11270 APR 1988 - SPET 1990



ITEM	PART NO.	QTY.	DESCRIPTION
	00756581	-	DRIVESHAFT,INTERMEDIATE
1	00757049	1	OUTER YOKE 1-3/4-20
2	00752896	2	CROSS BEARING SERIES 6
3	00754399	1	FLANGED DOUBLE YOKE *
4	00756075	1	CLUTCH & YOKE SERIES 6
5	00755610	2	GREASE FTG.ELBOW 8MMP1.0 90

* This Flange Assembly has 8 bolts in it - Category 4 x-kits.

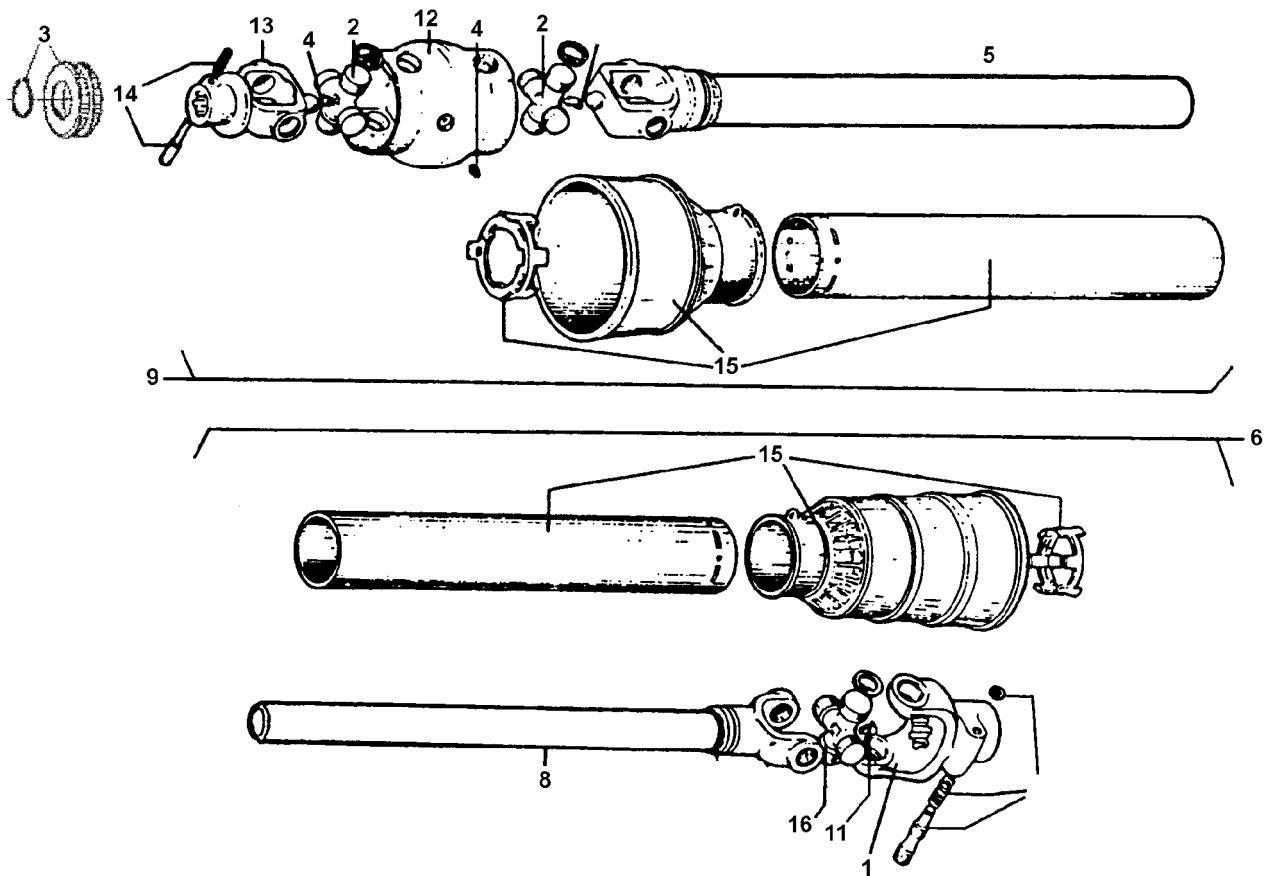
DRIVELINE ASSEMBLY - MAIN 44R 540/1000 RPM SN 10001 - 11270 APR 1988 - 1990



ITEM	PART NO.	QTY.	DESCRIPTION
1	00758814	1	D/L 44R SQ SHFT 29PAINT BLACK
2	W827A	1	YOKE,CLP,1-3/4-20SP PAINT BLK
3	W840	2	CROSS REPR KIT
4	00758815	1	DRIVELINE SHAFT & YOKE 44R 29
5	00758816	1	SHIELD OUTHE 29-1/8 LG 44R
6	00759212	4	RETAINER, NYLON BEARING
7	W802B	1	HSG,SHLD,QD YK PAINT BLACK
	W802B9	1	HSG,SHLD,21T CL YK PAINT BLACK
8	W815R	1	SHLD IN ASSY PAINT BLACK
9	W825A	1	YOKE 1-3/8-21 PAINT BLACK
10	W821A	1	YOKE,Q.D. 6BSPLN PAINT BLACK
11	W812A	1	YOKE SLEEVE PAINT BLACK
12	00749960	1	KIT,Q.D. REPAIR 1801 1802 1803
	0650000100	1	KIT-QD PIN, TRAILING PIN
13	8391	1	Q.D. COLLAR KIT
14	00600700	1	HEXB 5/8 NC 3-1/4 PL5
15	00010300	1	LOCKWASHER 5/8 PL STD
16	00010400	1	NUT 5/8 NC HEX PL
17	7AH882026	1	C/S 1/2 X 3 1/4 NF 8
18	00001300	1	LOCKWASHER 1/2 PL STD
19	00001200	1	NUT,HEX 1/2 NC PL
20	00760519	1	RING, BEARING
21	00752670	1	GREASE FITTING 1/4-28 BOLT THD

NOTE: Square Shaft & Round Housing.

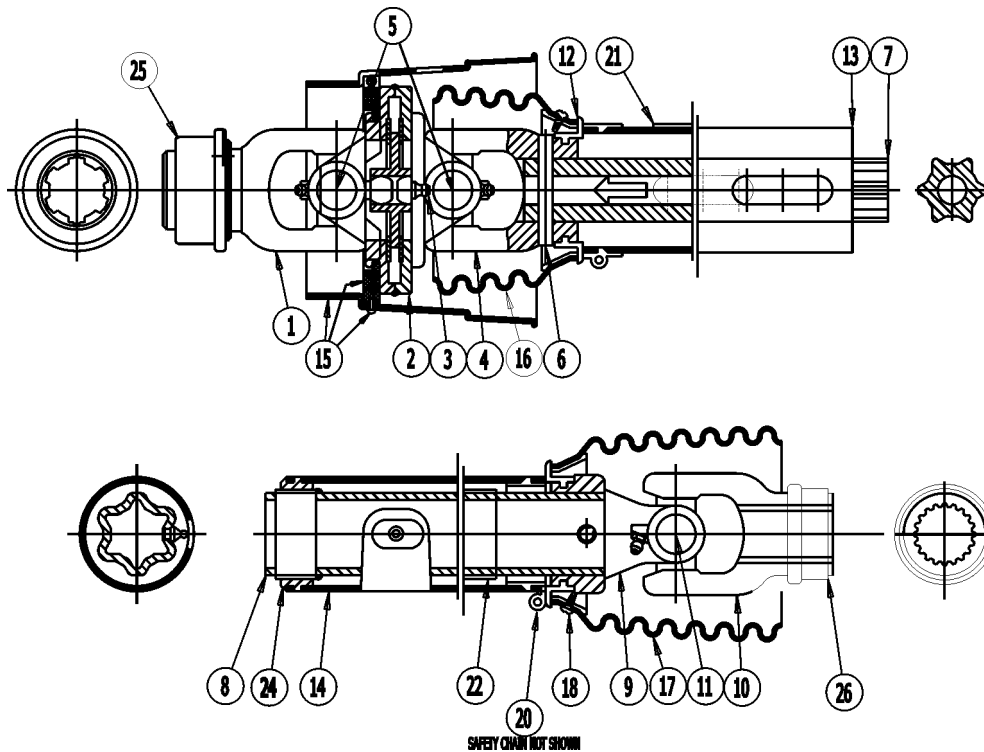
DRIVELINE ASSEMBLY - MAIN CV 1000 RPM SN 10001 - 11000 APR 1988 - SEPT 1990



ITEM	PART NO.	QTY.	DESCRIPTION
	00755751	-	CV DRIVELINE,1000,1-3/8-21YOKE
1	00753908	1	YOKE, SERIES 8 1-3/4-20 SPLIN
2	00753286	2	CROSS & BEARING KIT #8-CV
3	00759119	1	YOKE-COLLAR & SNAP RING
4	00752881	5	GREASE FITTING
5	00753070	1	OUTER TUBE W/YOKE SERIES 8
6	00753071	1	MOWER HALF ASMBLY (1-3/4-20)
8	00753073	1	INNER TUBE W/YOKE SERIES 8
9	00755751	1	DRIVELINE,1000 CV CAT5 1-3/8-
11	00755610	1	GREASE FTG.ELBOW 8MMP1.0 90
12	00753077	1	N/A FROM VENDOR
13	00755750	1	YOKE, 1-3/8-21 SPLINE (1000RPM
14	00755075	3	PUSH PIN SET
15	00753082	1	COMPLETE SAFETY SHIELD
16	00753068	1	CROSS BEARING SERIES 8
17	00758159	1	PIN,ROLL 3-1/2 LG
18	00758160	1	PIN, ROLL 3 LG
19	00760452	1	DRIVELINE,540 CV CAT 5 1-3/8-6
20	00759112	1	YOKE,INNER TUBE
21	00757818	1	TUBE,INNER D/L
22	00757817	1	TUBE,OUTER D/L

NOTE: Part No. 00755751 is no longer available as assembly. Replace by PN 00760453. Parts WILL NOT interchange between assemblies; Triangle Shaft and Tube. The Driveline has yellow shields.

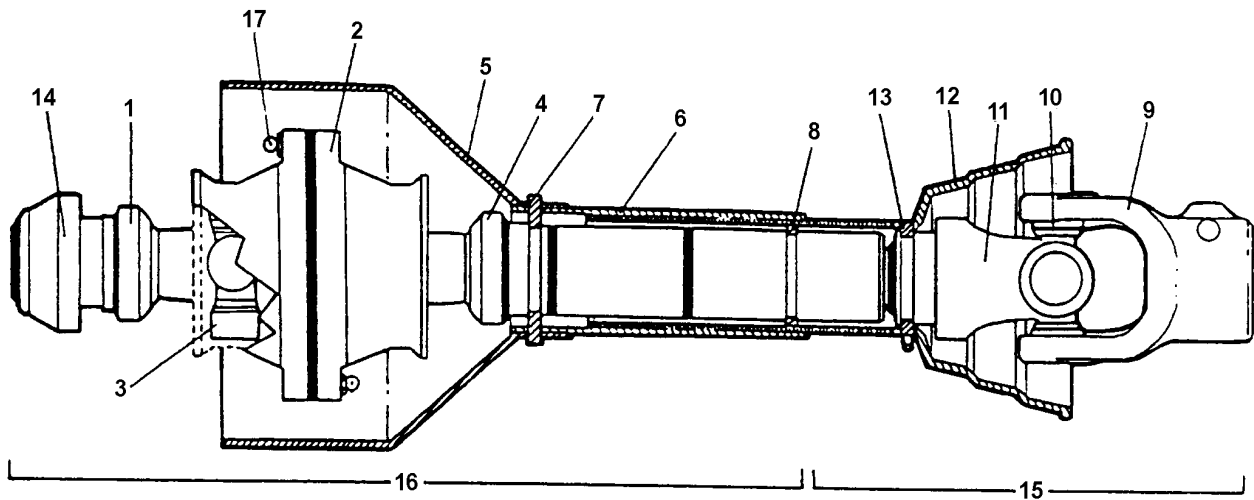
DRIVELINE ASSEMBLY - MAIN CV 1000 RPM SN 10001 - 11270 APR 1988 - SEPT 1990



ITEM	PART NO.	QTY.	DESCRIPTION
	00760453	-	DRIVELINE,1000 CV CAT5 1-3/8-
1	8478	1	YOKE 1-3/8 21-SP
2	8482	1	DOUBLE YOKE
3	8382	1	FITTING,GREASE M8 X 1
4	7432	1	YOKE-INBOARD
5	7433	2	CROSS & BEARING KIT
6	8384	2	SPRING PIN 10MM X 90MM
7	00760632	1	PROFILE-INNER SAGA
8	00760634	1	PROFILE & SLEEVE W.A.
9	8489	1	INBOARD YOKE
10	00760636	1	YOKE 1-3/4-20 SPLINE A.S.
11	8486	1	CROSS & BEARING KIT
12	8393	2	BEARING RING
13	00760640	1	TUBE, OUTER SHIELD OVL
14	00760641	1	TUBE,INNER SHIELD ROUND
15	7420	1	ASSY-BEARING & CV CONE
16	8949	1	SHIELD CONE
17	8949	1	SHIELD CONE
18	00759217	8	SCREW 1/2 LG END
20	0921000345	1	CHAIN, SAFETY
21	00756005	1	DECAL-ROTATING DRIVELINE
22	00756004	1	DECAL-SHIELD MISSING
24	8974	1	SUPPORT BEARING
25	8391	1	Q.D. COLLAR KIT
26	00759556	1	KIT, SLIDE COLLAR
	00760665	1	DRIVELINE-TRACTOR HALF PART OF
	00760667	1	DRIVELINE IMPLEMENT HALF PART

NOTE: This is a replacement D/L NOT used on Production Model. Parts WILL NOT interchange with earlier driveline; Star shaft and tube. This driveline has black shields.

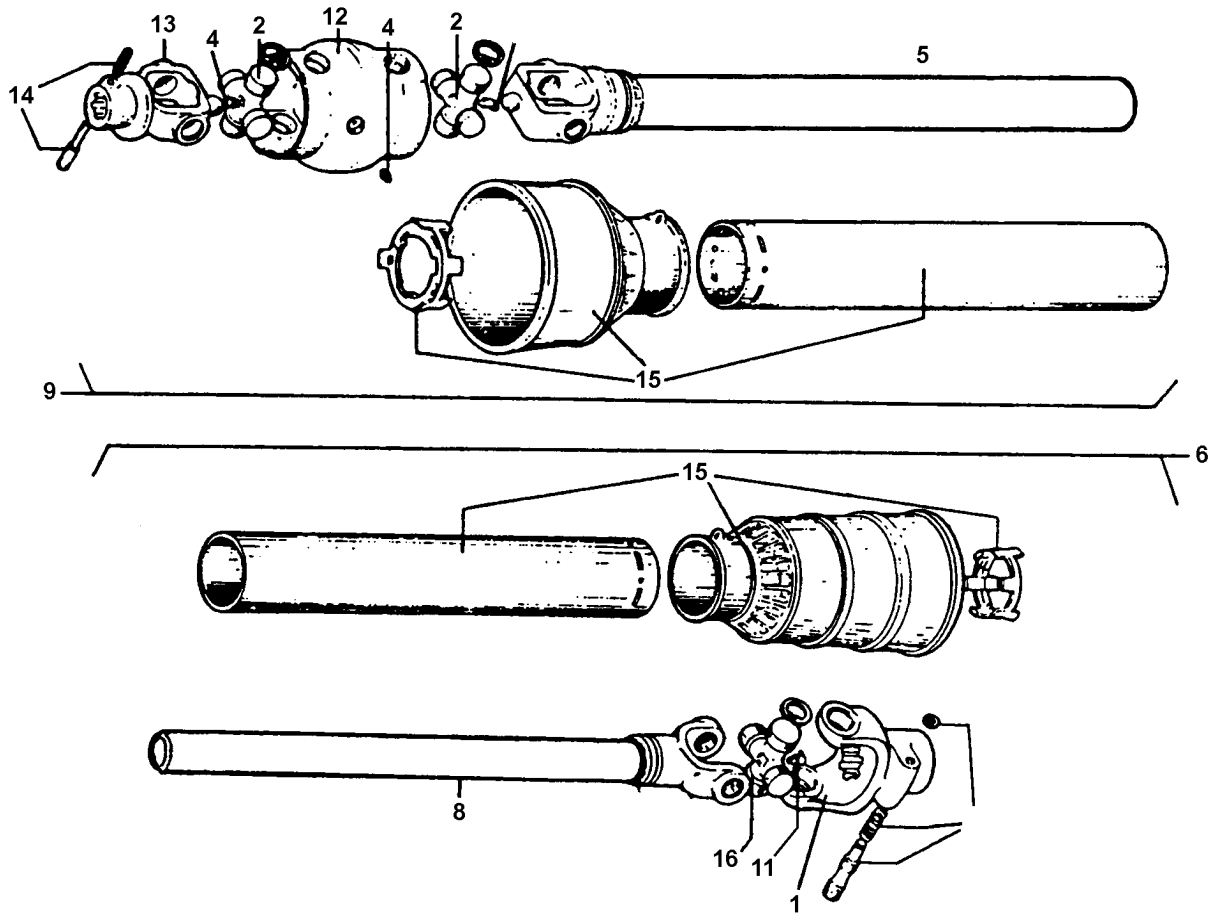
DRIVELINE ASSEMBLY - MAIN CV 1000 RPM SN 11001 - 11270 APR 1990 - SEPT 1990



ITEM	PART NO.	QTY.	DESCRIPTION
	00759242	-	CV DRIVELINE,1000,1-3/8-21YOKE
1	00759232	1	SCQD YOKE 1000 RPM
2	00759233	1	BODY, ASY
3	00759234	2	KIT, CROSS & BEARING
4	00760453	1	DRIVELINE,1000 CV CAT5 1-3/8-
5	00759236	1	SHIELD, BELL
6	00759237	1	TUBE-SHIELD
7	1442	4	BEARING, NYLON OUTER SHIELD
8	00759238	1	BRG-NYLON
9	W827A	1	YOKE,CLP,1-3/4-20SP PAINT BLK
10	W840	1	CROSS REPR KIT
11	00759239	1	YOKE & SHAFT
12	00759240	1	SHIELD-INNER
13	00759241	3	SHIELD BRG
14	4571	1	SLIDE COLLAR KIT
15	00760452	1	DRIVELINE,540 CV CAT 5 1-3/8-6
16	00760452	1	DRIVELINE,540 CV CAT 5 1-3/8-6
17	02961453	2	GREASE FITTING 1/4-28 TAPER 45

NOTE: Part No. 00759242 is no longer available as assembly. Replace by PN 00760453. Parts WILL NOT interchange between assemblies; Spline Shaft and Tube. The Driveline has black shields.

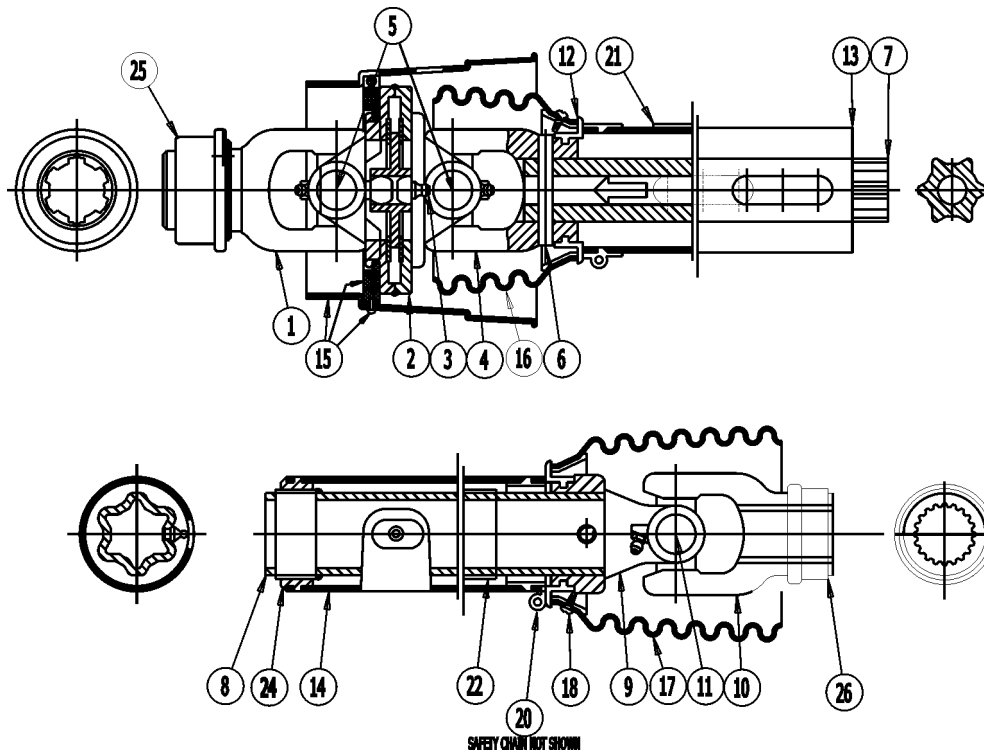
DRIVELINE ASSEMBLY - MAIN CV 540 RPM SN 10001 - 11000 APR 1988 - APR 1990



ITEM	PART NO.	QTY.	DESCRIPTION
	00754009	-	CV DRIVELINE 540,1-3/8-6 YOKE
1	00753908	1	YOKE, SERIES 8 1-3/4-20 SPLIN
2	00753286	2	CROSS & BEARING KIT #8-CV
4	00752881	5	GREASE FITTING
5	00753070	1	OUTER TUBE W/YOKE SERIES 8
6	00753071	1	MOWER HALF ASMBLY (1-3/4-20)
8	00753073	1	INNER TUBE W/YOKE SERIES 8
9	00753074	1	TRAC HALF 540 CV D/L
11	00755610	1	GREASE FTG.ELBOW 8MMP1.0 90
12	00760452	1	DRIVELINE,540 CV CAT 5 1-3/8-6
13	00753078	1	YOKE,1-3/8-6 (CV),TWIST COLLAR
14	00755075	2	PUSH PIN SET
15	00753082	1	COMPLETE SAFETY SHIELD
16	00753068	1	CROSS BEARING SERIES 8

NOTE: Part No. 00754009 is no longer available as an assembly. Replace with PN 00760452. Parts will not interchange between assemblies; Triangle shaft and tube. This driveline has yellow shields.

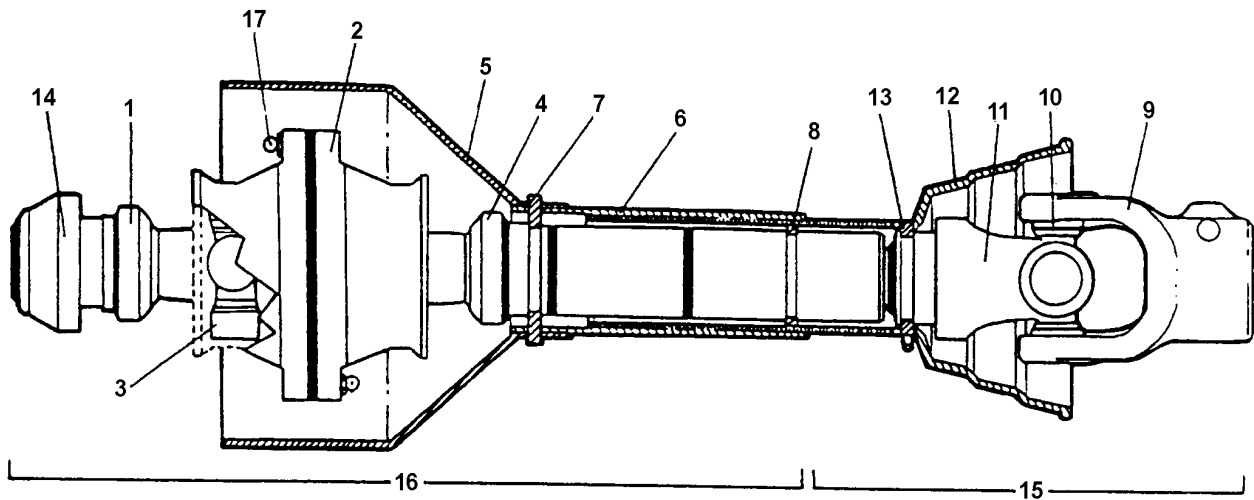
DRIVELINE ASSEMBLY - MAIN CV 540 RPM SN 10001 - 11270 APR 1998 - SEPT 1990



ITEM	PART NO.	QTY.	DESCRIPTION
	00760452	-	DRIVELINE,540 CV CAT 5 1-3/8-6
1	7431	1	YOKE SLIDE COLLAR
2	8482	1	DOUBLE YOKE
3	8382	1	FITTING,GREASE M8 X 1
4	7432	1	YOKE-INBOARD
5	7433	2	CROSS & BEARING KIT
6	8384	2	SPRING PIN 10MM X 90MM
7	00760632	1	PROFILE-INNER SAGA
8	00760634	1	PROFILE & SLEEVE W.A.
9	8489	1	INBOARD YOKE
10	00760636	1	YOKE 1-3/4-20 SPLINE A.S.
11	8486	1	CROSS & BEARING KIT
12	8393	2	BEARING RING
13	00760640	1	TUBE, OUTER SHIELD OVL
14	00760641	1	TUBE,INNER SHIELD ROUND
15	7420	1	ASSY-BEARING & CV CONE
16	8949	1	SHIELD CONE
17	8949	1	SHIELD CONE
18	00759217	2	SCREW 1/2 LG END
20	0921000345	1	CHAIN, SAFETY
21	00756005	1	DECAL-ROTATING DRIVELINE
22	00756004	1	DECAL-SHIELD MISSING
24	8974	1	SUPPORT BEARING
25	8391	1	Q.D. COLLAR KIT
26	00759556	1	KIT, SLIDE COLLAR
	00760668	1	DRIVELINE TRACTOR HALF PART OF
	00760667	1	DRIVELINE IMPLEMENT HALF PART

NOTE: This is a replacement D/L, NOT used on Production Model. Parts WILL NOT interchange with earlier D/L; Star Shaped Shaft & Tube. This driveline has black shields.

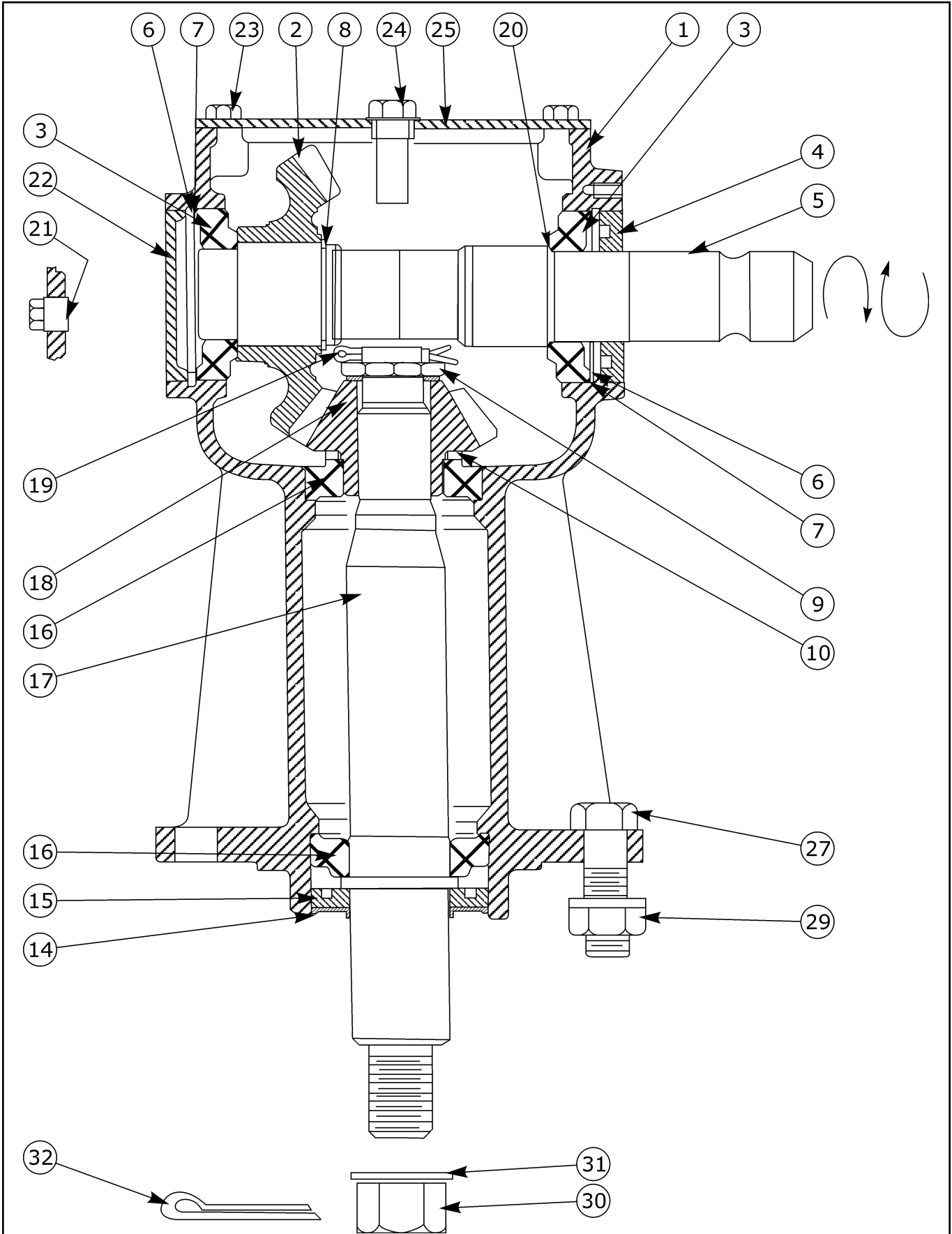
DRIVELINE ASSEMBLY - MAIN CV 540 RPM SN 11001 - 11270 APR 1990 - SEPT 1990



ITEM	PART NO.	QTY.	DESCRIPTION
	00759243	-	CV DRIVELINE,540 1-3/8-6 YOKE
1	00759244	1	SC QD YOKE 540 RPM
2	00759233	1	BODY, ASY
3	00759234	2	KIT, CROSS & BEARING
4	00759234	1	KIT, CROSS & BEARING
5	00759236	1	SHIELD, BELL
6	00759237	1	TUBE-SHIELD
7	1442	4	BEARING, NYLON OUTER SHIELD
8	00759238	1	BRG-NYLON
9	W827A	1	YOKE,CLP,1-3/4-20SP PAINT BLK
10	W840	1	CROSS REPR KIT
11	00759239	1	YOKE & SHAFT
12	00759240	1	SHIELD-INNER
13	00759241	3	SHIELD BRG
14	4571	1	SLIDE COLLAR KIT
15	00760452	1	DRIVELINE,540 CV CAT 5 1-3/8-6
16	00760452	1	DRIVELINE,540 CV CAT 5 1-3/8-6
17	02961453	2	GREASE FITTING 1/4-28 TAPER 45

NOTE: Part No. 00759243 no longer available as an assembly. Replace with PN 00760452 assembly. Parts will not interchange between assembly; Splined shaft and tube. This driveline has black shields.

GEARBOX ASSEMBLY - 1000 RPM SN 10001 - 11270 APR 1988 - SEPT 1990



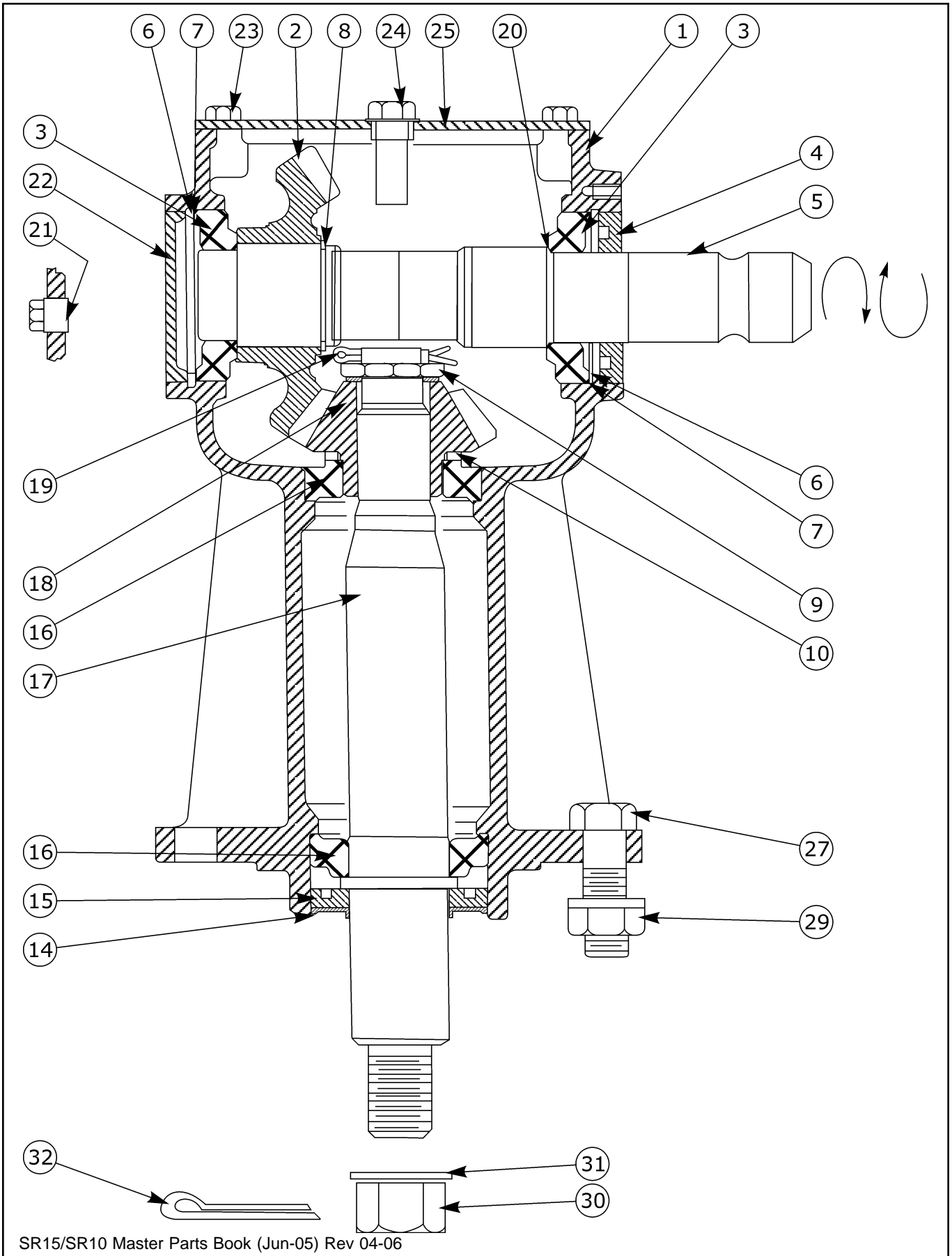
SR15/SR10 Master Parts Book (Jun-05) Rev 04-06

GEARBOX ASSEMBLY - 1000 RPM SN 10001 - 11270 APR 1988 - SEPT 1990

ITEM	PART NO.	QTY.	DESCRIPTION
	00756741	-	GEARBOX, 00756740 WITH LUBE
1	00755613	1	CASING
2	00756900	1	PINION 20 TEETH 1.2:1
3	00755615	2	BEARING
4	00753238	1	OIL SEAL
5	00755617	1	SHAFT
6	00755618	2	INTERNAL CIRCLIP
7	00755619	2	SHIM
8	00755620	1	EXTERNAL CIRCLIP
9	00756943	1	NUT M40X1.5
10	00755622	1	SHIM
14	00755626	1	PROTECTIVE SHIELD
15	00755627	1	OIL SEAL
16	00769938	2	BEARING, 30210
17	00756945	1	SHAFT
18	00756899	1	GEAR 24 TEETH 1.2:1
19	00756946	1	PIN, COTTER 3/16 X 2-3/8
20	00755632	1	SHIM
21	00755633	1	PLUG, 3/8
22	00755634	1	CAP
23	00755635	4	HEXB METRIC 8-P1.25-16MM 5
24	00757342	1	PLUG, PRESSURIZED VENT
25	00755637	1	COVER
27	02880900	6	HHCS 3/4-10UNC 2-3/4 PL5
29	00037200	6	NUT TOPLOCK 3/4 NC PLC
30	00755624	1	NUT
31	00755623	1	WASHER 2.200 OD1.218 1DX.250
32	163016	1	PIN, COTTER 3/16 X 2

NOTE: Right Wing CCW Rotation Blades.

GEARBOX ASSEMBLY - 540 RPM SN 10001 - 11270 APR 1988 - SEPT 1990



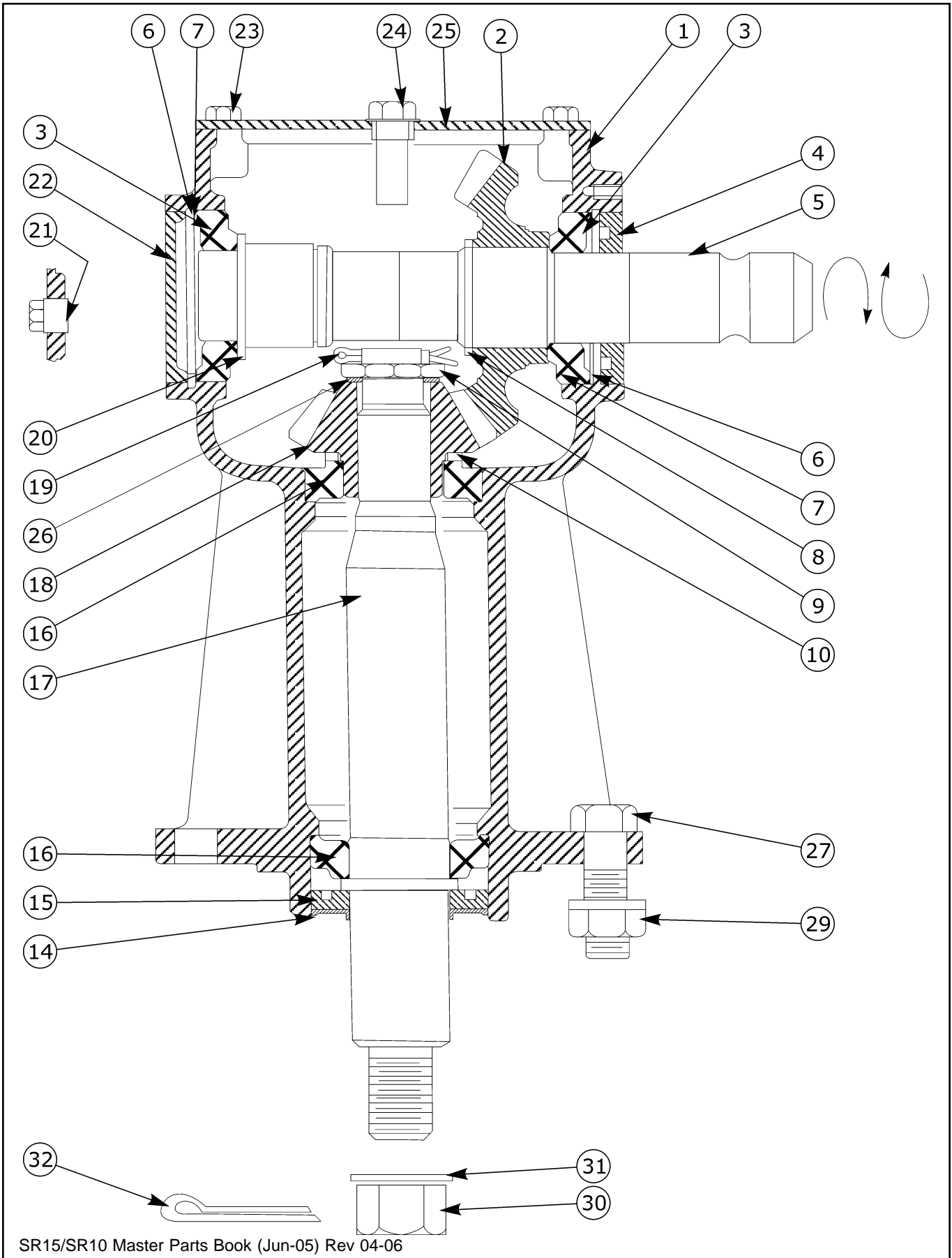
SR15/SR10 Master Parts Book (Jun-05) Rev 04-06

GEARBOX ASSEMBLY - 540 RPM SN 10001 - 11270 APR 1988 - SEPT 1990

ITEM	PART NO.	QTY.	DESCRIPTION
	00755598	-	GRBX ASSY RH C/W-IN-C/CW OUT
1	00755613	1	CASING
2	00755614	1	GEAR, 24 TEETH 1:1.5
3	00755615	2	BEARING
4	00753238	1	OIL SEAL
5	00755617	1	SHAFT
6	00755618	2	INTERNAL CIRCLIP
7	00755619	2	SHIM
8	00755620	1	EXTERNAL CIRCLIP
9	00755621	1	NUT,SLOTTED CASTLE
10	00755622	1	SHIM
14	00755626	1	PROTECTIVE SHIELD
15	00755627	1	OIL SEAL
16	00769938	2	BEARING, 30210
17	00755629	1	SHAFT
18	00755630	1	PINION, 16 TEETH 1:1.5
19	00755631	1	PIN, COTTER
20	00755632	1	SHIM
21	00755633	1	PLUG,3/8
22	00755634	1	CAP
23	00755635	4	HEXB METRIC 8-P1.25-16MM 5
24	00757342	1	PLUG, PRESSURIZED VENT
25	00755637	1	COVER
26	00755638	1	SHIM
27	02880900	6	HHCS 3/4-10UNC 2-3/4 PL5
29	00037200	6	NUT TOPLOCK 3/4 NC PLC
30	00755624	1	NUT
31	00755623	1	WASHER 2.200 OD1.218 1DX.250
32	163016	1	PIN, COTTER 3/16 X 2

NOTE: Left Wing CW Blade Rotation.
Center Section CCW Blade Rotation.

GEARBOX ASSEMBLY - 540 RPM SN 10001 - 11270 APR 1988 - SEPT 1990



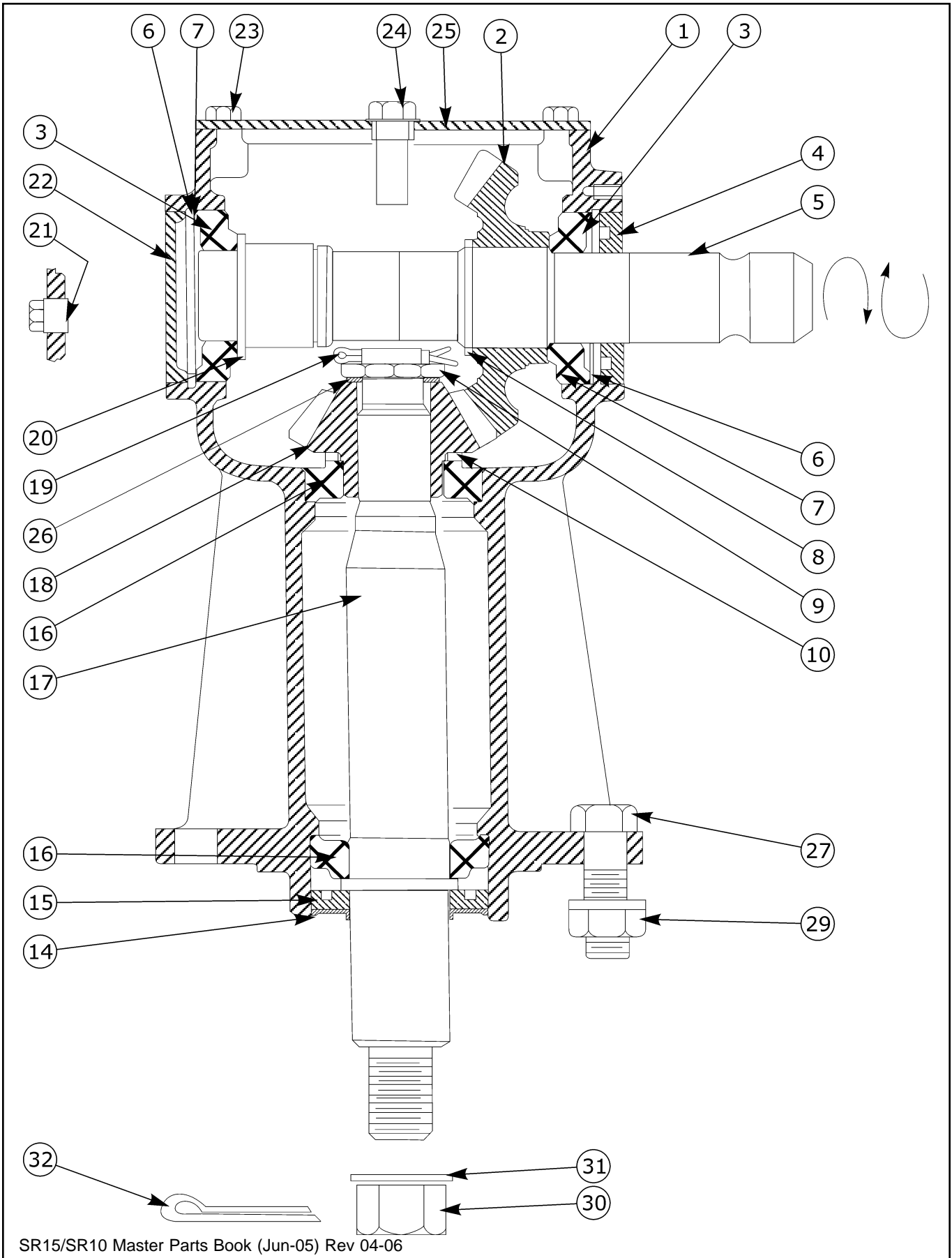
SR15/SR10 Master Parts Book (Jun-05) Rev 04-06

GEARBOX ASSEMBLY - 540 RPM SN 10001 - 11270 APR 1988 - SEPT 1990

ITEM	PART NO.	QTY.	DESCRIPTION
	00755566	-	GRBX ASSY C/W-IN-C/W OUT
1	00755613	1	CASING
2	00755614	1	GEAR, 24 TEETH 1:1.5
3	00755615	2	BEARING
4	00753238	1	OIL SEAL
5	00755617	1	SHAFT
6	00755618	2	INTERNAL CIRCLIP
7	00755619	2	SHIM
8	00755620	1	EXTERNAL CIRCLIP
9	00755621	1	NUT,SLOTTED CASTLE
10	00755622	1	SHIM
14	00755626	1	PROTECTIVE SHIELD
15	00755627	1	OIL SEAL
16	00769938	2	BEARING, 30210
17	00755629	1	SHAFT
18	00755630	1	PINION, 16 TEETH 1:1.5
19	00755631	1	PIN, COTTER
20	00755632	1	SHIM
21	00755633	1	PLUG,3/8
22	00755634	1	CAP
23	00755635	4	HEXB METRIC 8-P1.25-16MM 5
24	00757342	1	PLUG, PRESSURIZED VENT
25	00755637	1	COVER
26	00755638	1	SHIM
27	02880900	6	HHCS 3/4-10UNC 2-3/4 PL5
29	00037200	6	NUT TOPLOCK 3/4 NC PLC
30	00755624	1	NUT
31	00755623	1	WASHER 2.200 OD1.218 1DX.250
32	163016	1	PIN, COTTER 3/16 X 2

NOTE: Right Wing CCW Rotation Blades.

GEARBOX ASSEMBLY - CENTER SECTION 1000 RPM SN 10001 - 11270 APR 1988 - SEPT 1990



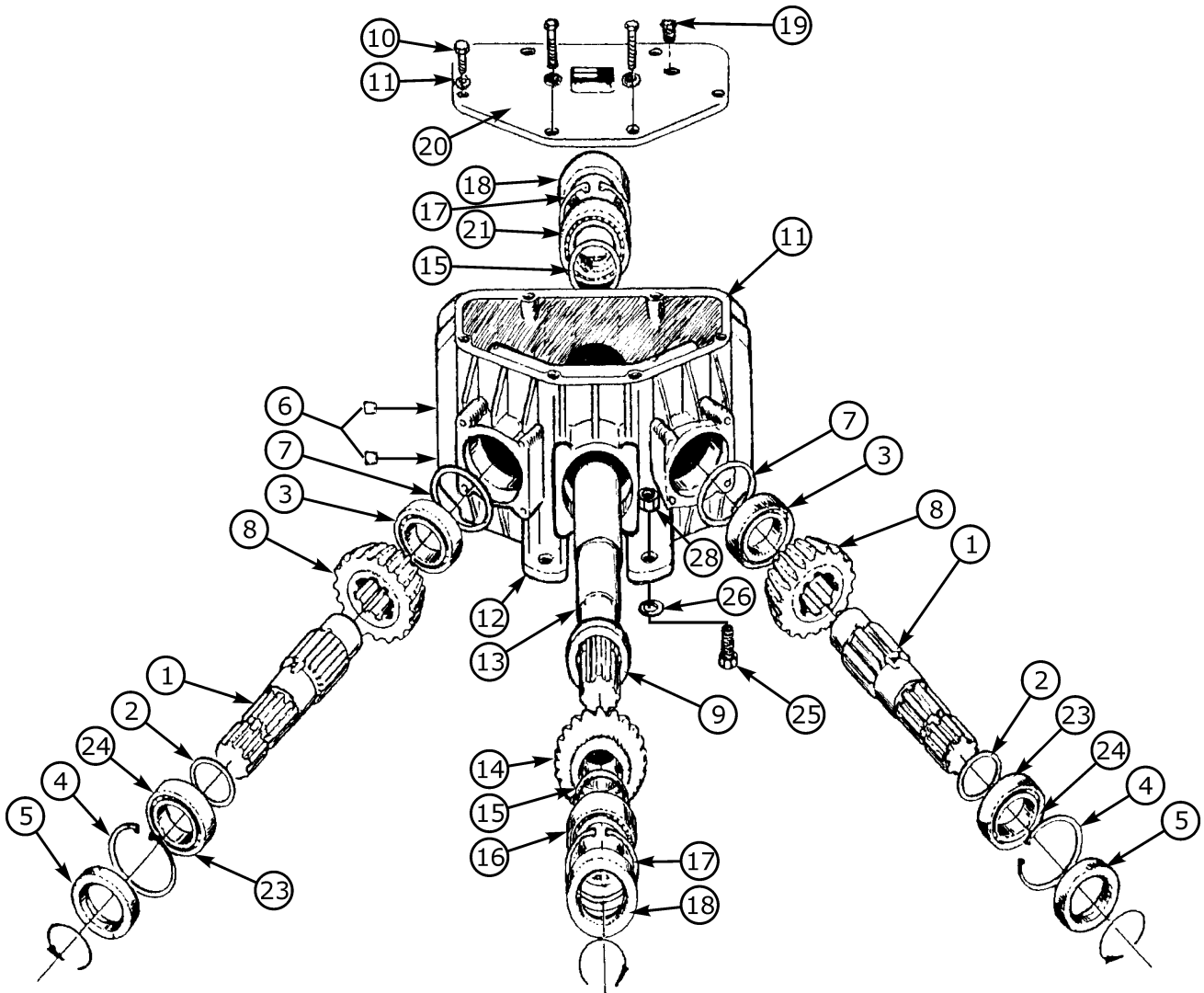
SR15/SR10 Master Parts Book (Jun-05) Rev 04-06

GEARBOX ASSEMBLY - CENTER SECTION 1000 RPM SN 10001 - 11270 APR 1988 - SEPT 1990

ITEM	PART NO.	QTY.	DESCRIPTION
	00756622	-	GEARBOX
1	00755613	1	CASING
2	00756900	1	PINION 20 TEETH 1.2:1
3	00755615	2	BEARING
4	00753238	1	OIL SEAL
5	00755617	1	SHAFT
6	00755618	2	INTERNAL CIRCLIP
7	00755619	2	SHIM
8	00755620	1	EXTERNAL CIRCLIP
9	00756943	1	NUT M40X1.5
10	00755622	1	SHIM
14	00755626	1	PROTECTIVE SHIELD
15	00755627	1	OIL SEAL
16	00769938	2	BEARING, 30210
17	00756945	1	SHAFT
18	00756899	1	GEAR 24 TEETH 1.2:1
19	00756946	1	PIN, COTTER 3/16 X 2-3/8
20	00755632	1	SHIM
21	00755633	1	PLUG,3/8
22	00755634	1	CAP
23	00755635	4	HEXB METRIC 8-P1.25-16MM 5
24	00757342	1	PLUG, PRESSURIZED VENT
25	00755637	1	COVER
27	02880900	6	HHCS 3/4-10UNC 2-3/4 PL5
29	00037200	6	NUT TOPLOCK 3/4 NC PLC
30	00755624	1	NUT
31	00755623	1	WASHER 2.200 OD1.218 1DX.250
32	163016	1	PIN, COTTER 3/16 X 2

NOTE: Center Section CCW Blade Rotation.

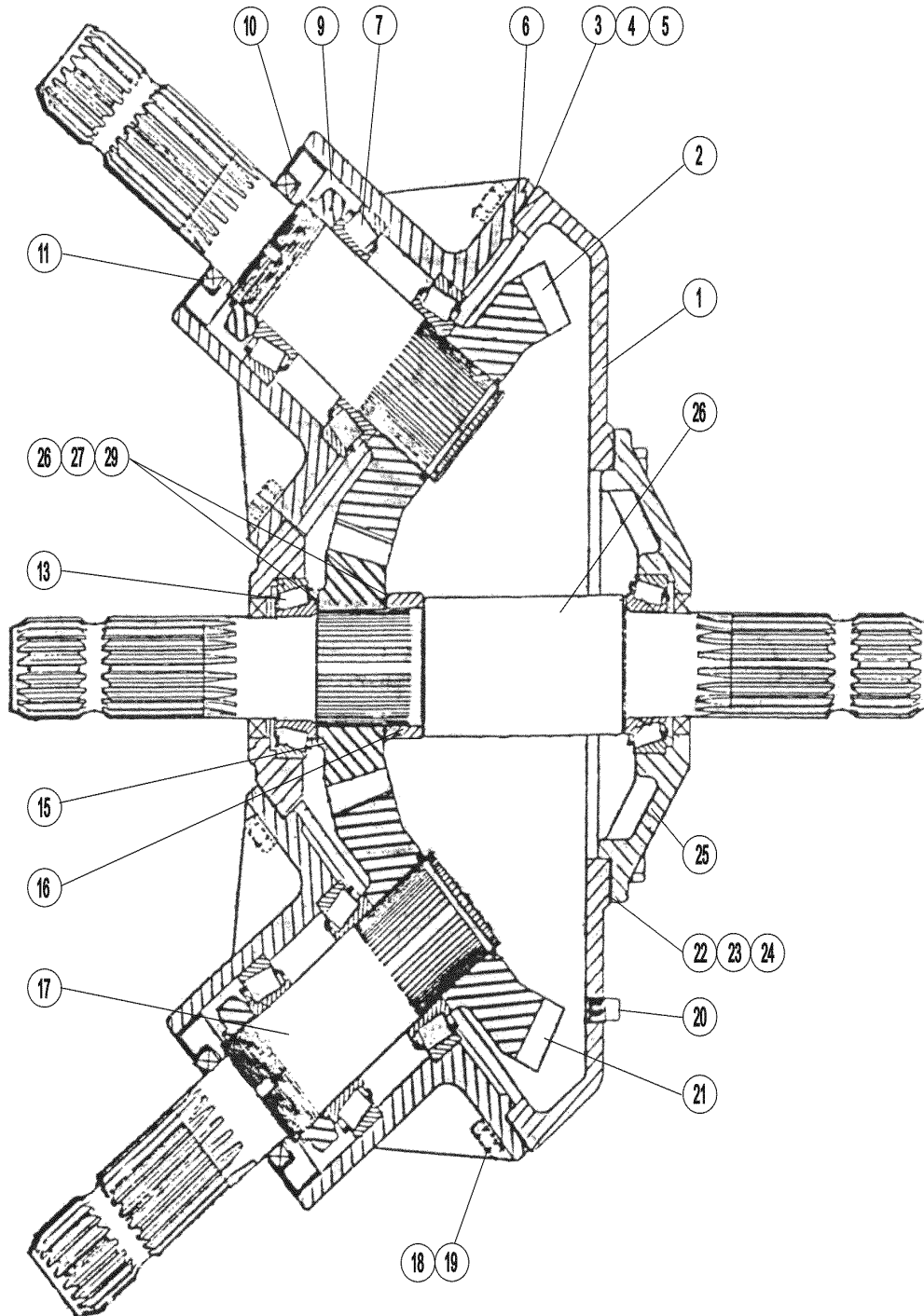
GEARBOX ASSEMBLY - DIVIDER 1000 RPM SN 10001 - 11100 APR 1988 - MAR 1990



GEARBOX ASSEMBLY - DIVIDER 1000 RPM SN 10001 - 11100 APR 1988 - MAR 1990

ITEM	PART NO.	QTY.	DESCRIPTION
	00755698	-	DIVIDER GEARBOX
1	00756643	2	SHAFT, 1-3/4-20 SPL WG OUTPUT
2	00756649	2	SNAP RING 40 UNI7436 .096 THK
3	00753223	2	BEARING
4	00753224	2	CIRCLIP, INTERNAL
5	00756644	2	SEAL,OIL 45X80X10
6	00753226	2	PLUG
7	00756645	2	SHIM, 69X79.9
8	00755746	2	GEAR, SIDE BEVEL 1000 T25A G/B
9	00755068	1	SHOULDER RING
10	00753230	4	HEXB METRIC 8-P1.25- 30MM PL5
11	00753231	6	SCHNORR WASHER
12	00753232	1	CASING
13	00756648	1	SHAFT, 1-3/4-20 CTR SHAFT
14	00755745	1	GEAR, CTR BEVEL, 1000 T25A G/B
15	00753235	2	SHIM
16	00755070	1	BEARING
17	00753237	2	INTERNAL CIRCLIP
18	00753238	2	OIL SEAL
19	00753239	1	OIL FILLER PLUG
20	00753240	1	COVER
21	00753241	1	BEARING
22	00755069	1	GASKET
23	00756647	2	SHIM, 65.3X79.7
24	00756646	2	BEARING, BALL
25	02845500	4	HEXB 5/8 NC 2 PL5
26	00010300	4	LOCKWASHER 5/8 PL STD
27	00010400	4	NUT 5/8 NC HEX PL
28	00001400	4	FLATWASHER 5/8 PL STD

GEARBOX ASSEMBLY - DIVIDER 1000 RPM SN 11101 - 11270 MAR 1990 - OCT 1990

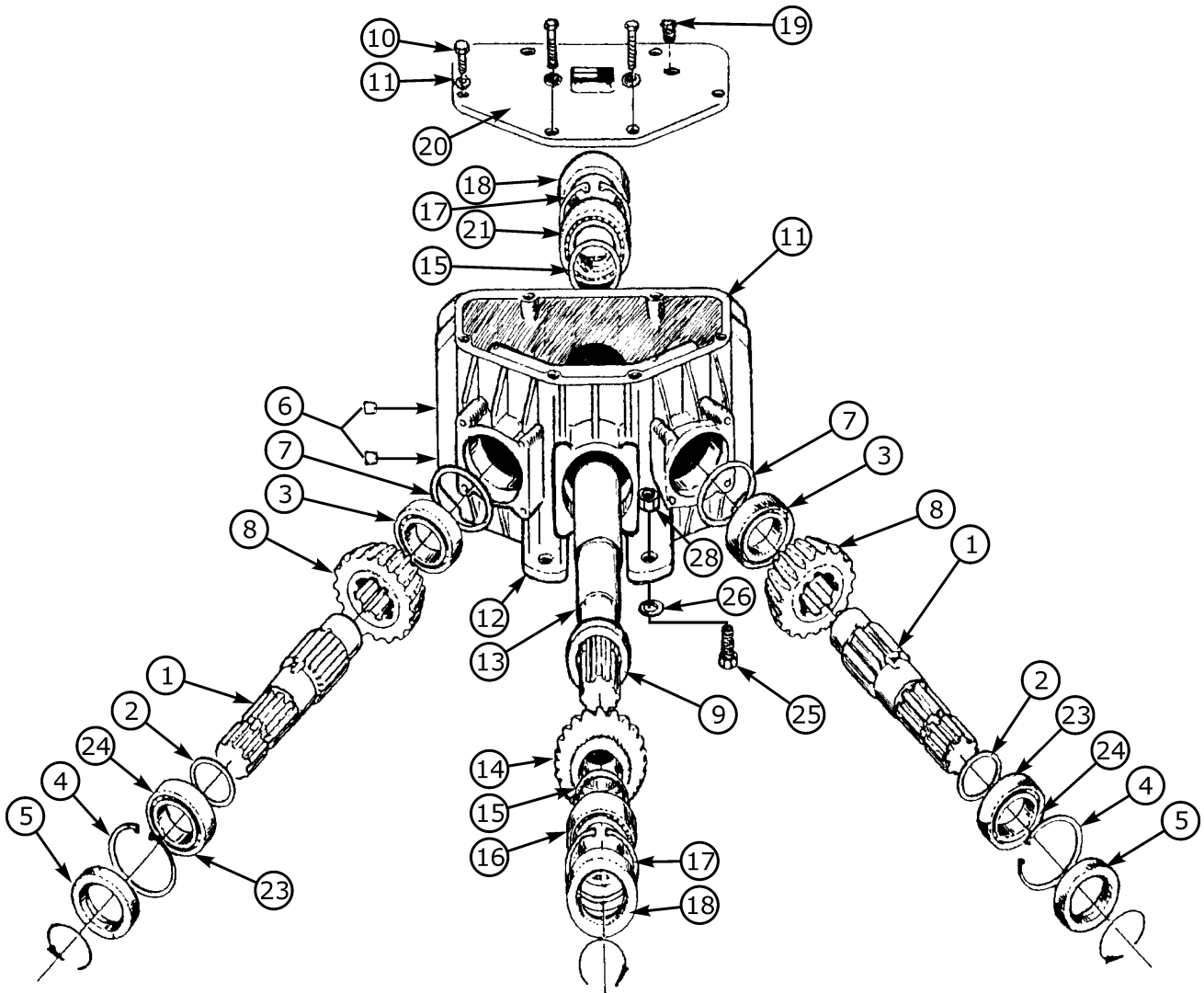


GEARBOX ASSEMBLY - DIVIDER 1000 RPM SN 11101 - 11270 MAR 1990 - OCT 1990

ITEM	PART NO.	QTY.	DESCRIPTION
	00757826	-	GEARBOX 540 DIVIDER 1:1.15
1	00758644	1	HOUSING,DIVIDER GEARBOX
2	00758669	2	GEAR,20 TOOTH
3	00758646	AR	SHIM, ADJUSTMENT .004 OR .1M
4	00758647	AR	SHIM, ADJUSTMENT .010 OR .25M
5	00758648	AR	SHIM ,ADJUSTMENT O.5
6	00758649	2	CAP,HORIZONTAL HUB
7	00769938	4	BEARING,TIMKEN 30210
9	00758651	2	NUT,M55X1.5 ADJUSTING
10	00758652	2	ADAPTER, SEAL
11	00758653	4	SEAL, INPUT SHAFT
12	00758654	1	PLUG,1/2 PRESSURIZED VENT
13	00758655	2	BEARING,INPUT SHAFT
15	00758670	1	GEAR,23 TOOTH
16	00758657	1	SPACER,INPUT SHAFT
17	00758658	1	SHAFT,HORIZONTAL OUTPUT
18	00758659	2	HHCS, M10X1.5X32
19	00755954	18	LOCKWASHER M10
20	00565000	18	PLUG, HEX HEAD PIPE 1/8-27NPT
21	00758660	1	RING,RETAINING
22	00758646	2	SHIM, ADJUSTMENT .004 OR .1M
23	00758647	1	SHIM, ADJUSTMENT .010 OR .25M
24	00758648	1	SHIM ,ADJUSTMENT O.5
25	00758664	1	CAP,INPUT
26	00758665	1	SHAFT,INPUT
27	00758667	2	SHIM .012
28	00758667	1	SHIM .012
29	00758668	1	SHIM,0.020

NOTE: 00757826 not serviced as complete unit, use 00759116

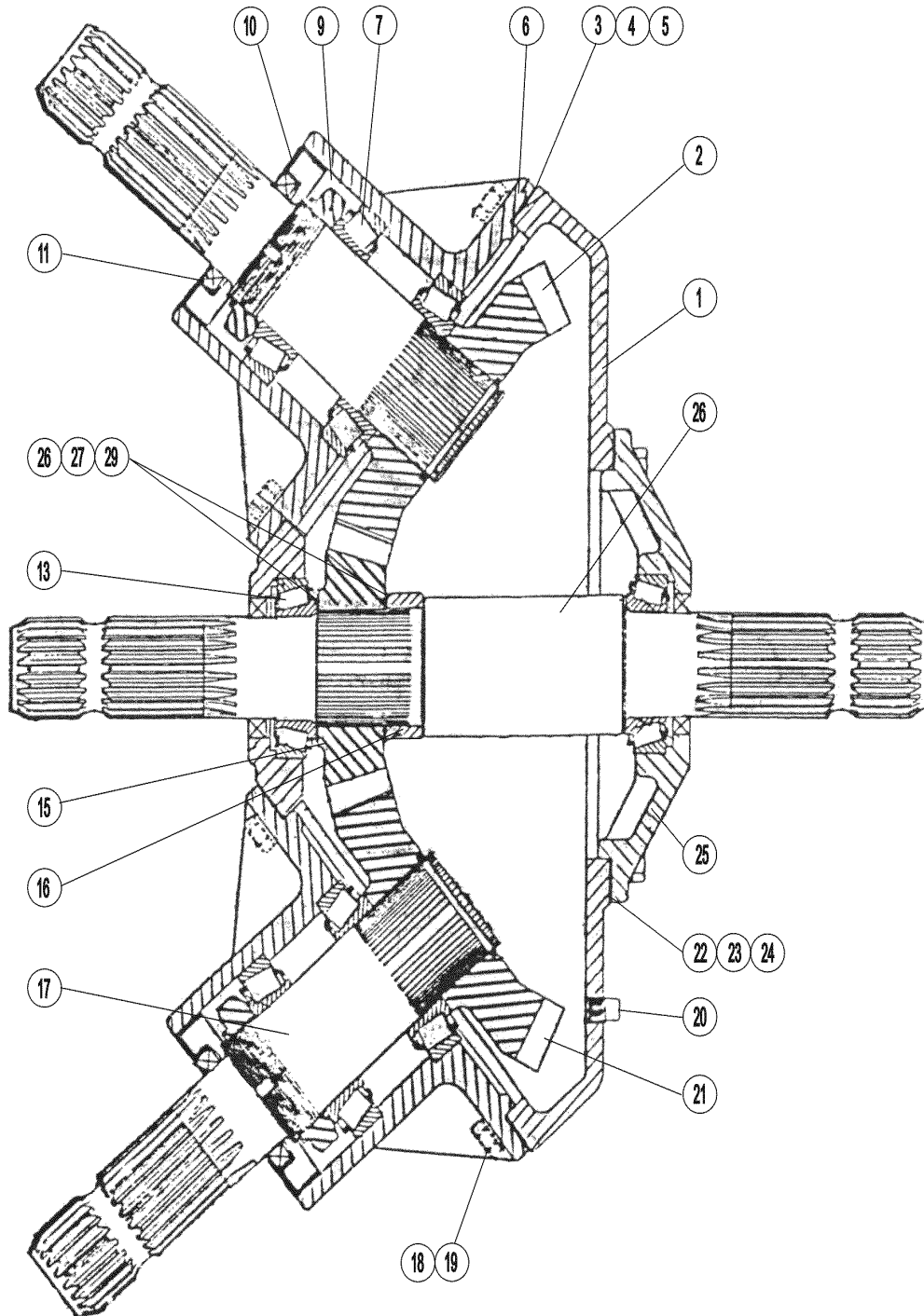
GEARBOX ASSEMBLY - DIVIDER 540 RPM SN 10001 - 11100 APR 1988 - MAR 1990



GEARBOX ASSEMBLY - DIVIDER 540 RPM SN 10001 - 11100 APR 1988 - MAR 1990

ITEM	PART NO.	QTY.	DESCRIPTION
	00756604	-	DIVIDER GEARBOX, COMER W/1-3/4
1	00756643	2	SHAFT, 1-3/4-20 SPL WG OUTPUT
2	00756649	2	SNAP RING 40 UNI7436 .096 THK
3	00753223	2	BEARING
4	00753224	2	CIRCLIP, INTERNAL
5	00756644	2	SEAL,OIL 45X80X10
6	00753226	2	PLUG
7	00753227	2	TAKE-UP RING
8	00753228	2	BEVEL PINION
9	00755068	1	SHOULDER RING
10	00753230	4	HEXB METRIC 8-P1.25- 30MM PL5
11	00753231	6	SCHNORR WASHER
12	00753232	1	CASING
13	00756648	1	SHAFT, 1-3/4-20 CTR SHAFT
14	00753234	1	CROWNWHEEL
15	00753235	2	SHIM
16	00755070	1	BEARING
17	00753237	2	INTERNAL CIRCLIP
18	00753238	2	OIL SEAL
19	00753239	1	OIL FILLER PLUG
20	00753240	1	COVER
21	00753241	1	BEARING
22	00755069	1	GASKET
23	00756647	2	SHIM, 65.3X79.7
24	00756646	2	BEARING, BALL
25	02845500	4	HEXB 5/8 NC 2 PL5
26	00010300	4	LOCKWASHER 5/8 PL STD
27	00010400	4	NUT 5/8 NC HEX PL
28	00001400	4	FLATWASHER 5/8 PL STD

GEARBOX ASSEMBLY - DIVIDER 540 RPM SN 11101 - 11270 MAR 1990 - OCT 1990

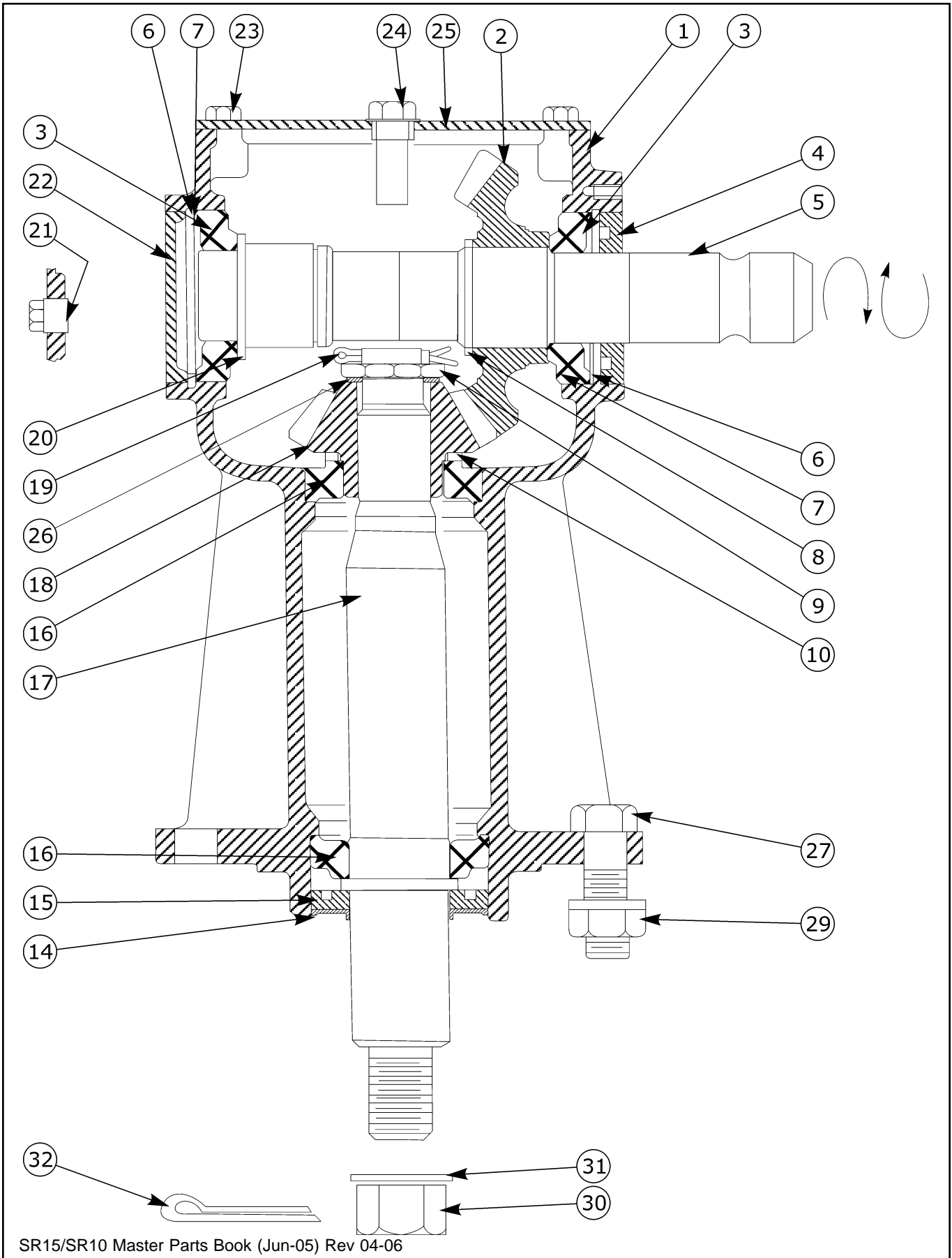


GEARBOX ASSEMBLY - DIVIDER 540 RPM SN 11101 - 11270 MAR 1990 - OCT 1990

ITEM	PART NO.	QTY.	DESCRIPTION
	00757825	-	GEARBOX 540 DIVIDER 1:1.15
1	00758644	1	HOUSING,DIVIDER GEARBOX
2	00758645	2	GEAR,20 TOOTH
3	00758646	AR	SHIM, ADJUSTMENT .004 OR .1M
4	00758647	AR	SHIM, ADJUSTMENT .010 OR .25M
5	00758648	AR	SHIM ,ADJUSTMENT O.5
6	00758649	2	CAP,HORIZONTAL HUB
7	00769938	4	BEARING,TIMKEN 30210
9	00758651	2	NUT,M55X1.5 ADJUSTING
10	00758652	2	ADAPTER, SEAL
11	00758653	4	SEAL, INPUT SHAFT
12	00758654	1	PLUG,1/2 PRESSURIZED VENT
13	00758655	2	BEARING,INPUT SHAFT
15	00758656	1	GEAR,23 TOOTH
16	00758657	1	SPACER,INPUT SHAFT
17	00758658	1	SHAFT,HORIZONTAL OUTPUT
18	00758659	2	HHCS, M10X1.5X32
19	00755954	18	LOCKWASHER M10
20	00565000	18	PLUG, HEX HEAD PIPE 1/8-27NPT
21	00758660	1	RING,RETAINING
22	00758646	2	SHIM, ADJUSTMENT .004 OR .1M
23	00758647	1	SHIM, ADJUSTMENT .010 OR .25M
24	00758648	1	SHIM ,ADJUSTMENT O.5
25	00758664	1	CAP,INPUT
26	00758665	1	SHAFT,INPUT
27	00758667	2	SHIM .012
28	00758667	1	SHIM .012
29	00758668	1	SHIM,0.020

NOTE: 00757825 not serviced as complete unit, use 00769115

GEARBOX ASSEMBLY - LEFT WING 1000 RPM SN 10001 - 11270 APR 1988 - SEPT 1990

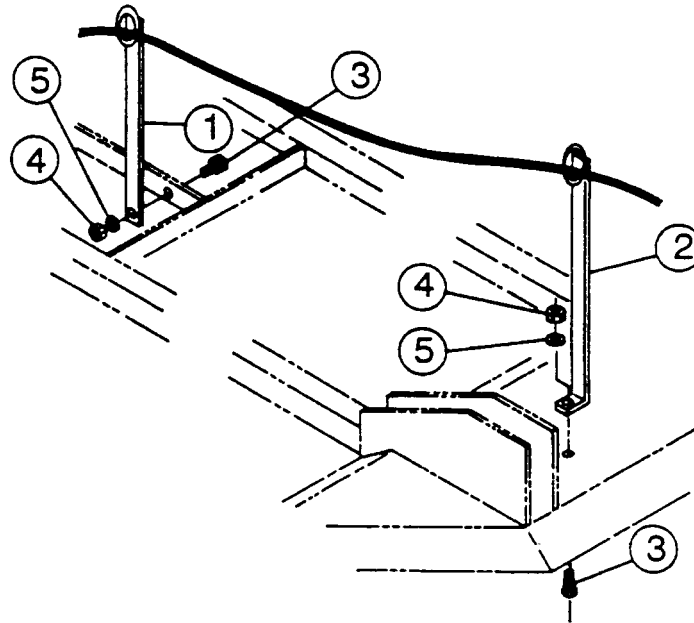


GEARBOX ASSEMBLY - LEFT WING 1000 RPM SN 10001 - 11270 APR 1988 - SEPT 1990

ITEM	PART NO.	QTY.	DESCRIPTION
	00756739	-	GEARBOX
1	00755613	1	CASING
2	00756899	1	GEAR 24 TEETH 1.2:1
3	00755615	2	BEARING
4	00753238	1	OIL SEAL
5	00755617	1	SHAFT
6	00755618	2	INTERNAL CIRCLIP
7	00755619	2	SHIM
8	00755620	1	EXTERNAL CIRCLIP
9	00756943	1	NUT M40X1.5
10	00755622	1	SHIM
14	00755626	1	PROTECTIVE SHIELD
15	00755627	1	OIL SEAL
16	00769938	2	BEARING, 30210
17	00756945	1	SHAFT
18	00756900	1	PINION 20 TEETH 1.2:1
19	00756946	1	PIN, COTTER 3/16 X 2-3/8
20	00755632	1	SHIM
21	00755633	1	PLUG,3/8
22	00755634	1	CAP
23	00755635	4	HEXB METRIC 8-P1.25-16MM 5
24	00757342	1	PLUG, PRESSURIZED VENT
25	00755637	1	COVER
27	02880900	6	HHCS 3/4-10UNC 2-3/4 PL5
29	00037200	6	NUT TOPLOCK 3/4 NC PLC
30	00755624	1	NUT
31	00755623	1	WASHER 2.200 OD1.218 1DX.250
32	163016	1	PIN, COTTER 3/16 X 2

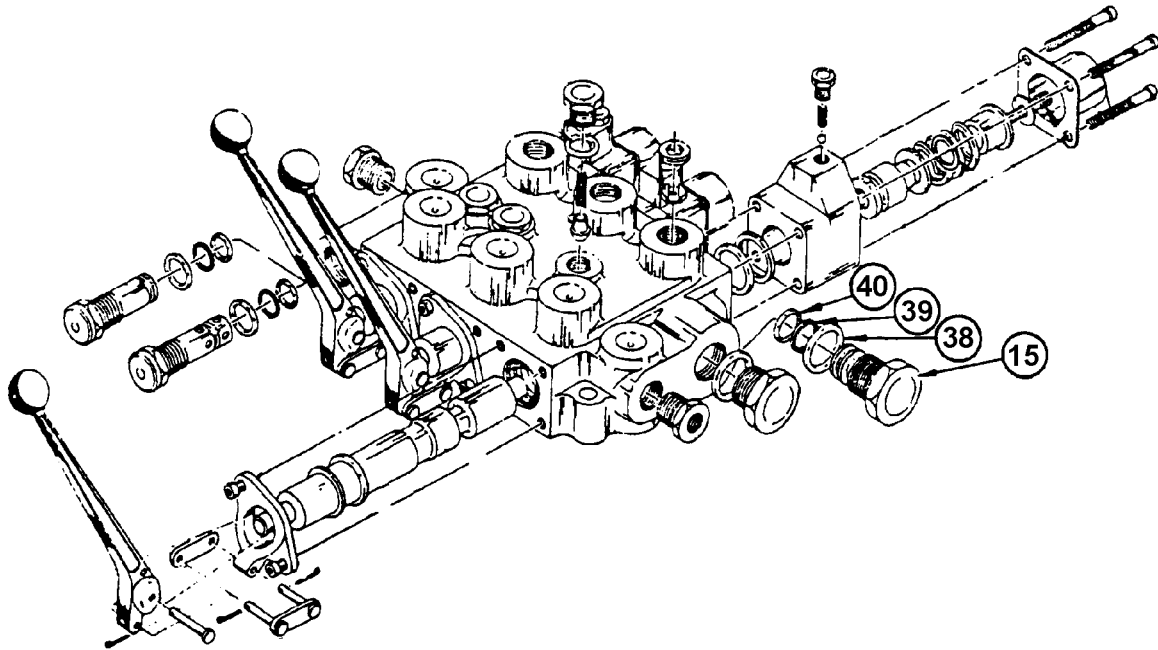
NOTE: Left Wing CW Blade Rotation.

HOSE BRACKET ASSEMBLY SN 10001 - 11270 APR 1988 - SEPT 1990



ITEM	PART NO.	QTY.	DESCRIPTION
1	0651140100	1	WLDMT, HYD. HOSE BRKT
2	0651150100	1	HYD. HOSE BRKT.
3	7A101112	2	BLT 5/8 X 1-1/2
4	5B10110	2	NUT 5/8 HEX, ZP
5	131000	2	LOCK WASHER

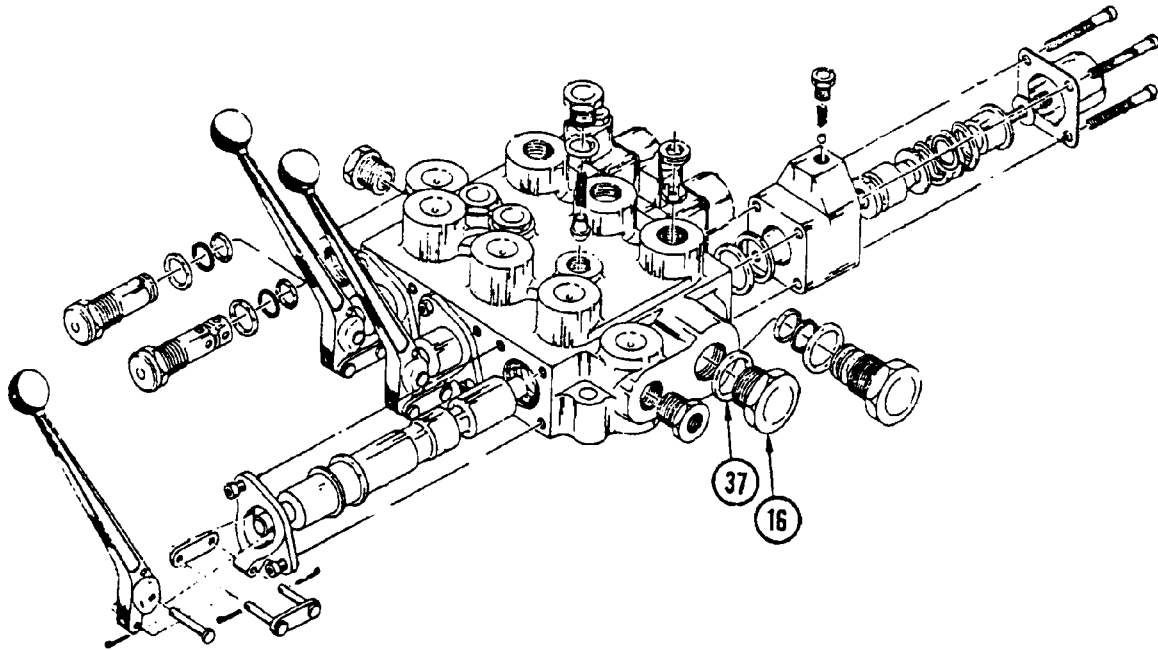
HYDRAULIC VALVE ASSEMBLY - CLOSED CENTER SN 10001 - 11270 APR 1988 - SEPT 1990



ITEM	PART NO.	QTY.	DESCRIPTION
15	6514042	1	PLUG, CLOSED CTR
38	6514041	1	SEAL
40	6514045	1	SEAL ORING 1X1-1/8X0.070
49	6514044	1	WASHER BACKUP 1-1/8X1X1/16TK

Standard on Closed Valve

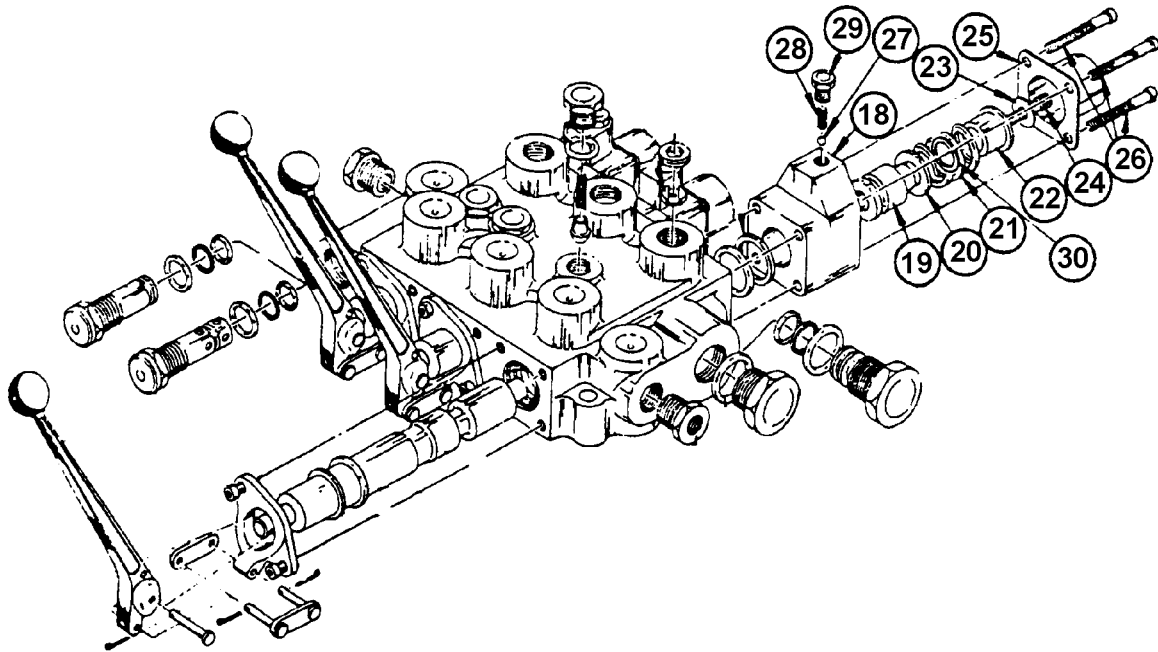
HYDRAULIC VALVE ASSEMBLY - CONVERSION PLUG SN 10001 - 11270 APR 1988 - SEPT 1990



ITEM	PART NO.	QTY.	DESCRIPTION
16	6514039	1	PLUG
37	6514041	1	SEAL

Standard on Open Valve

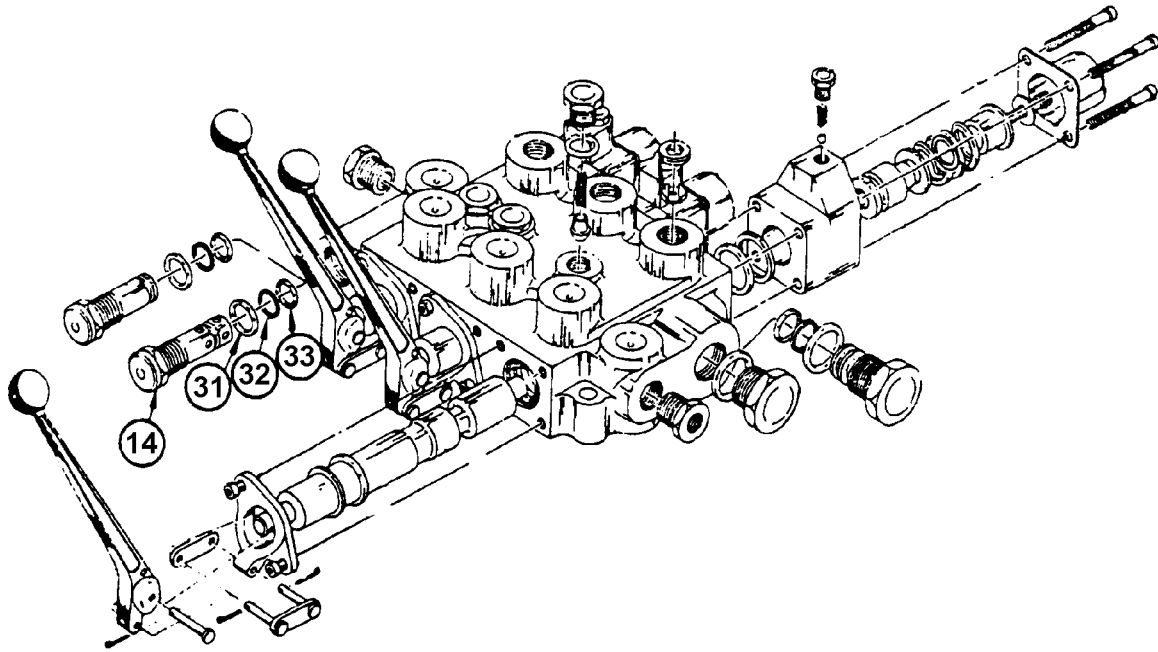
HYDRAULIC VALVE ASSEMBLY - DETENT W/SPRING ASSEMBLY SN 10001 - 11270 APR 1988 - SEPT 1990



ITEM	PART NO.	QTY.	DESCRIPTION
18	6514016	1	HOUSING DETENT
19	6514017	1	SLEEVE
20	6514018	1	WASHER
21	6514019	1	SPRING CENTERING (25#)
22	6514020	1	COLLAR STEP
23	6514021	1	WASHER
24	7E42012	1	C/S1/4 X 1 1/2 SK HD
25	6514022	1	CAP, END
26	7D42014	4	BOLT
27	6514023	1	BALL 1/4 STEEL
28	6514024	1	SPRING
29	6514025	1	PLUG
30	65140A54	1	WASHER

Standard quantities for one Detent Assembly 3 required per hydraulic valve.

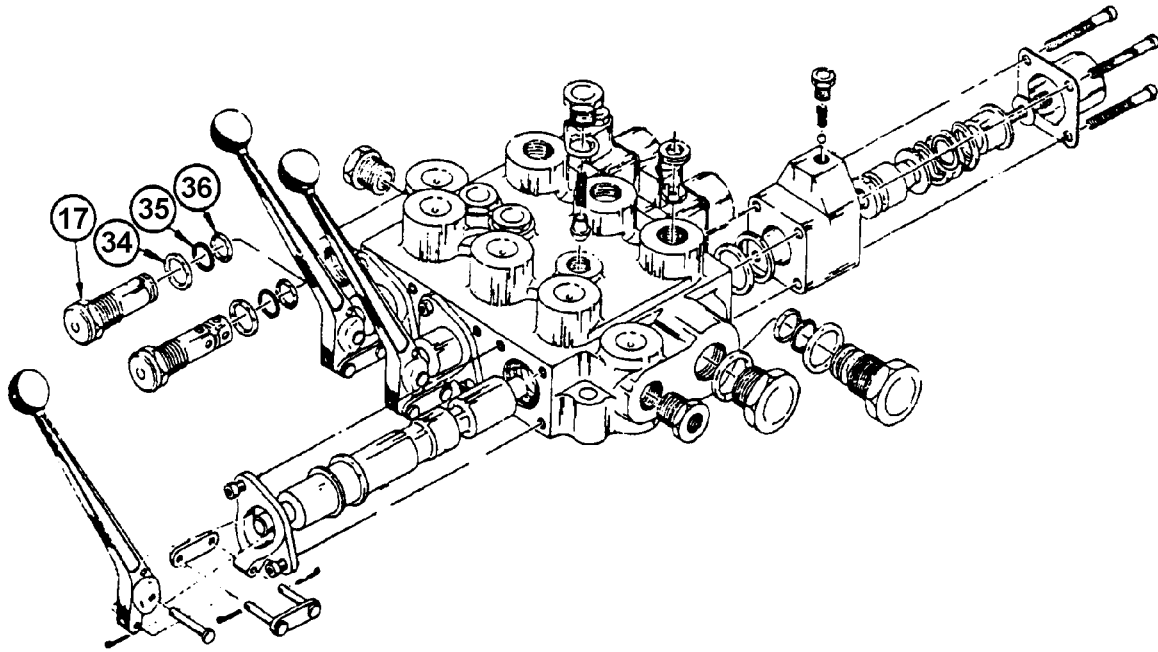
HYDRAULIC VALVE ASSEMBLY - NON-ADJUSTABLE RELIEF SN 10001 - 11270 APR 1988 - SEPT 1990



ITEM	PART NO.	QTY.	DESCRIPTION
14	65140A50	1	RELEIF VALVE
31	6514034	1	O-RING
32	6514035	1	WASHER
33	6514036	1	SEAL

Standard on Open Center Valve

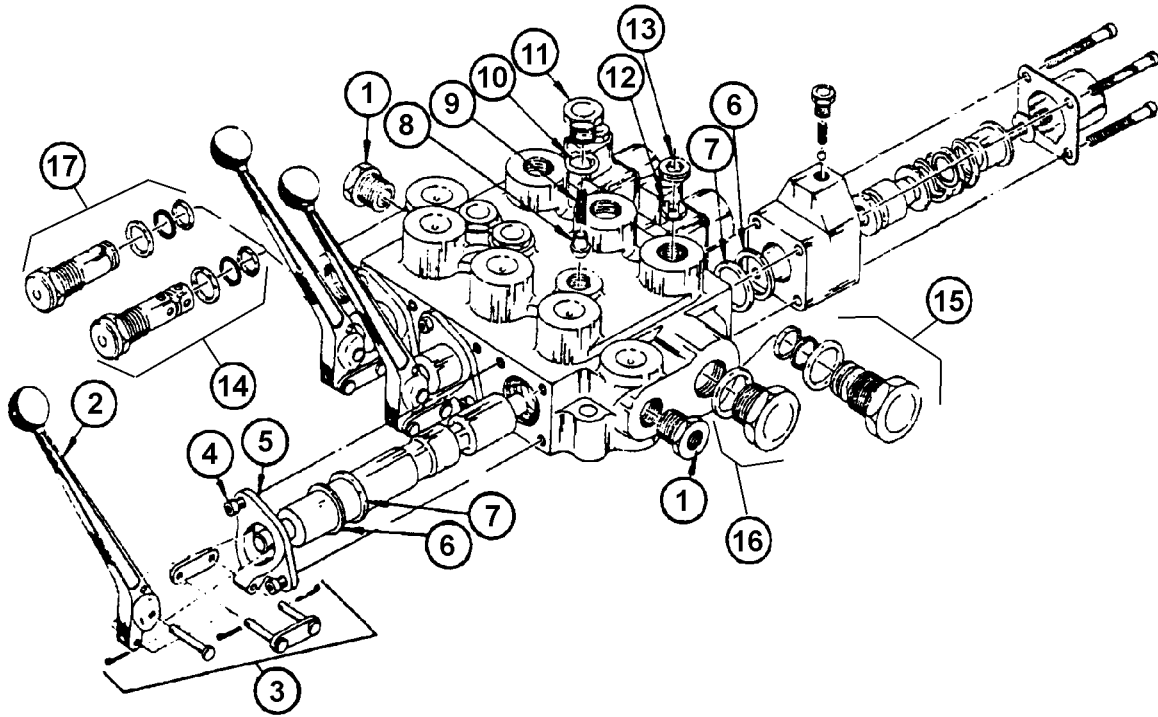
HYDRAULIC VALVE ASSEMBLY - NON-ADJUSTABLE RELIEF SN 10001 - 11270 APR 1988 - SEPT 1990



ITEM	PART NO.	QTY.	DESCRIPTION
17	6514037	1	PLUG, NO-RELIEF ASSY CROSS
34	6514034	1	O-RING
35	3514035	1	N/A
36	6514036	1	SEAL

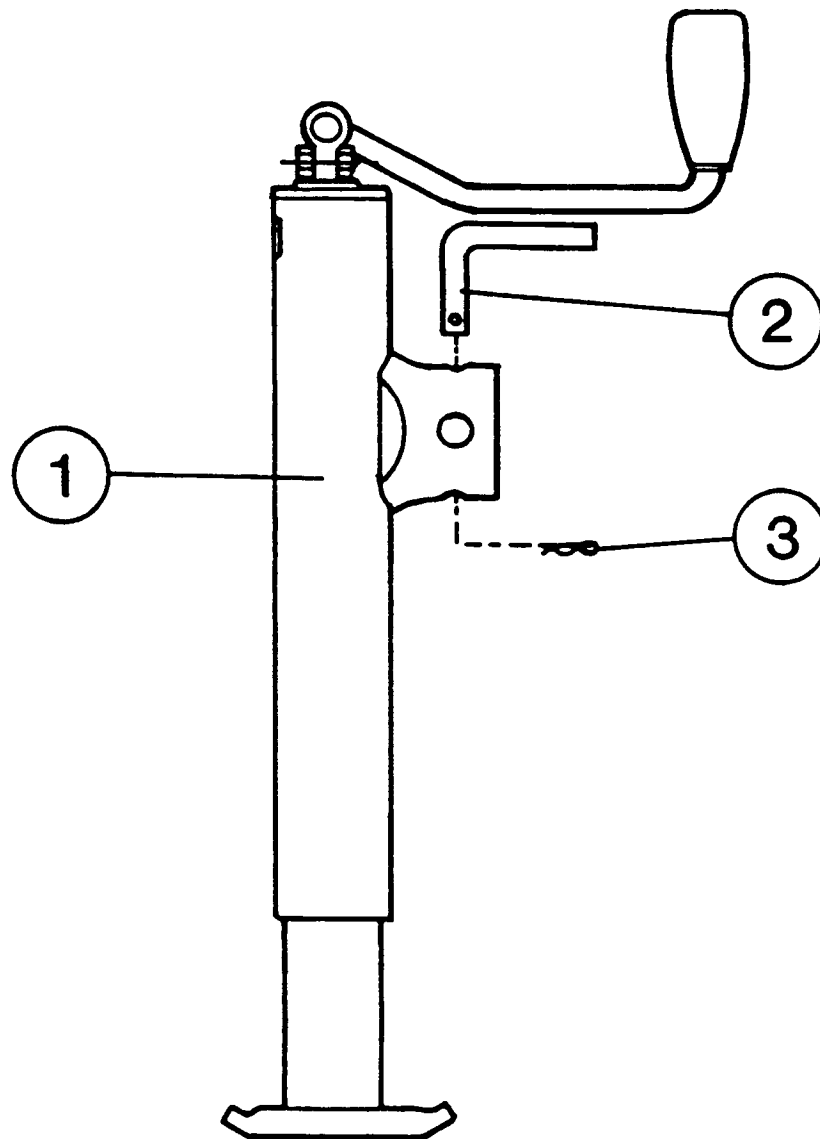
Standard on Closed Center Valve

HYDRAULIC VALVE ASSEMBLY - OPEN/CLOSED CENTER VALVE SN 10001 - 11270 APR 1988 - SEPT 1990



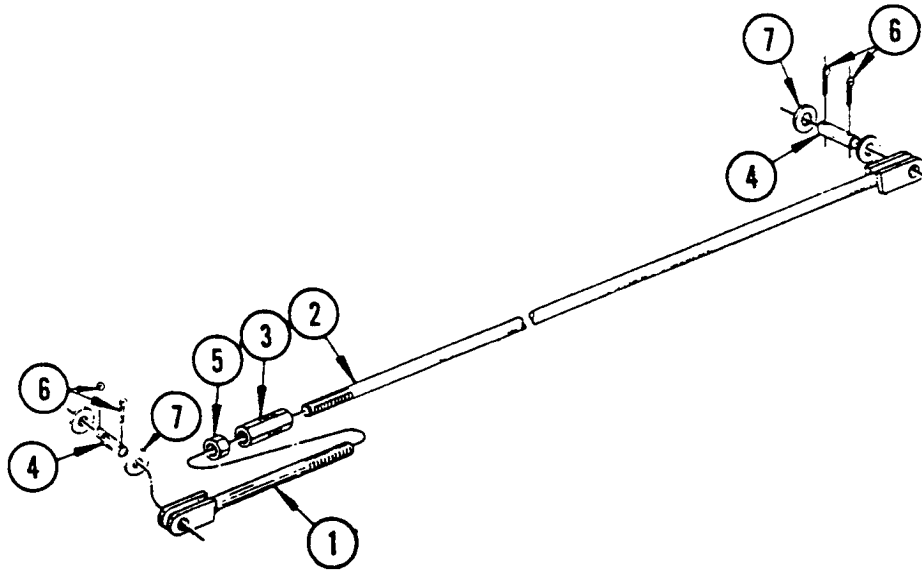
ITEM	PART NO.	QTY.	DESCRIPTION
1	19E13/41/2	2	PIPE BUSHING
2	65140A47	3	HANDLE
3	65140A48	3	KIT-PIN
4	7E4204	6	SHCS 1/4 NC 1/2
5	65140A46	3	BRKT
6	6514012	6	PLATE RETAINER
7	6514013	6	SEAL, O-RING
8	6514026	3	POPPET
9	6514027	3	SPRING,LIFT CHECK
10	6514028	3	SEAL, O-RING
11	6514029	3	PLUG
12	6514030	3	PLATE, 1/16 ORIFICE
13	6514031	3	RETAINER
14	65140A50	1	NON -ADJUSTABLE RELIEF ASSEMBLY (OPEN CENTER ONLY)
15	6514042	1	CLOSED CENTER ASSEMBLY (CLOSED CENTER ONLY)
16	6514039	1	CONVERSION PLUG ASSEMBLY
17	6514037	1	NO-RELIEF ASSEMBLY (CLOSED CENTER ONLY)

JACK ASSEMBLY - TOP WIND SN 10001 - 11270 APR 1988 - SEPT 1990



ITEM	PART NO.	QTY.	DESCRIPTION
1	00756655	1	PARKING JACK 5000# CAPACITY
2	00749892	1	PIN-JACK RETAINING
3	00751685	1	PIN-CLIP HAIR

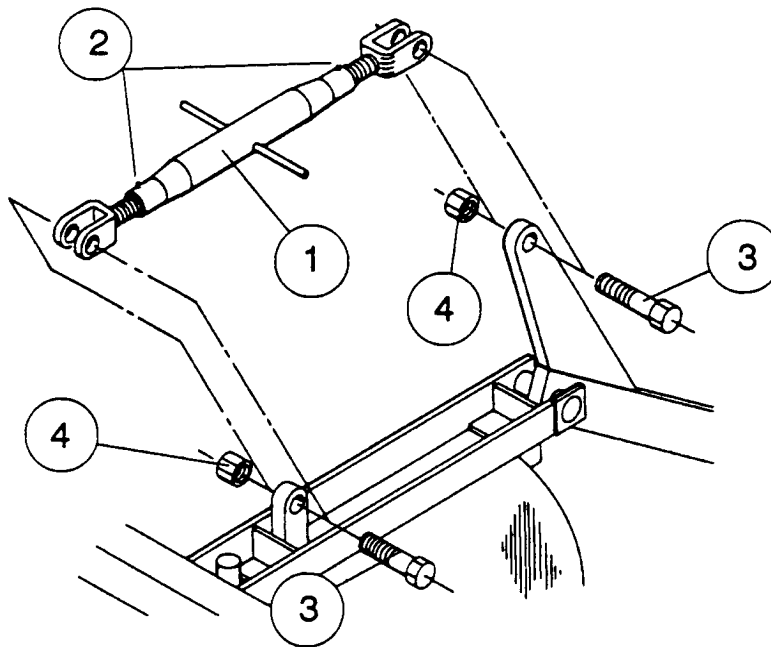
LEVEL ROD ASSEMBLY SN 10001 - 11270 APR 1988 - SEPT 1990



ITEM	PART NO.	QTY.	DESCRIPTION
1	584042	2	WLDMT-ROD CONTROL
2	00756926	2	WLDMT,CTR SEC CONTROL ROD
3	00770485A	2	NUT,EXTENDED ADJUSTMENT
4	651102	4	PIN-DRILLED
5	5C1490	2	HEXNUT 7/8 JAM ZP
6	163012	8	PINS-CTR 3/16 X 1 1/2
7	15B1200	8	WASHER 3/4 P SAE

2 Assy Per Unit Reg.

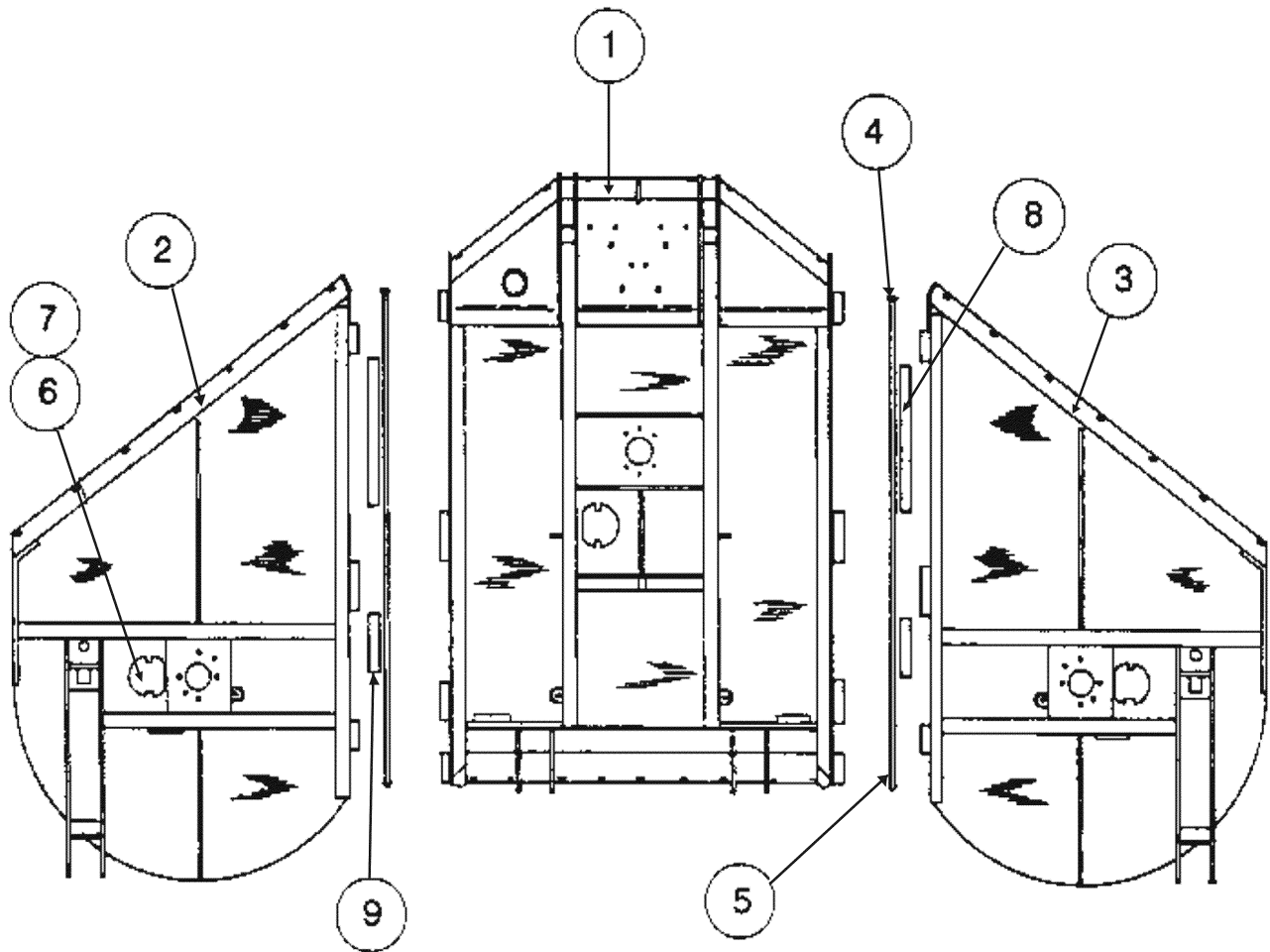
LIFT SCREW SN 10001 - 11270 APR 1988 - SEPT 1990



ITEM	PART NO.	QTY.	DESCRIPTION
1	0656510000	1	MANUAL-LIFT SCREW
2	651062F	2	FITTING,GREASE (DRIVE TYPE)
3	00609200	2	HEXB 1 NC 4 GR5
4	02030300	2	NUT TOPLOCK 1 NC PLB
5	00756579	1	TOP LINK THREAD LOCK

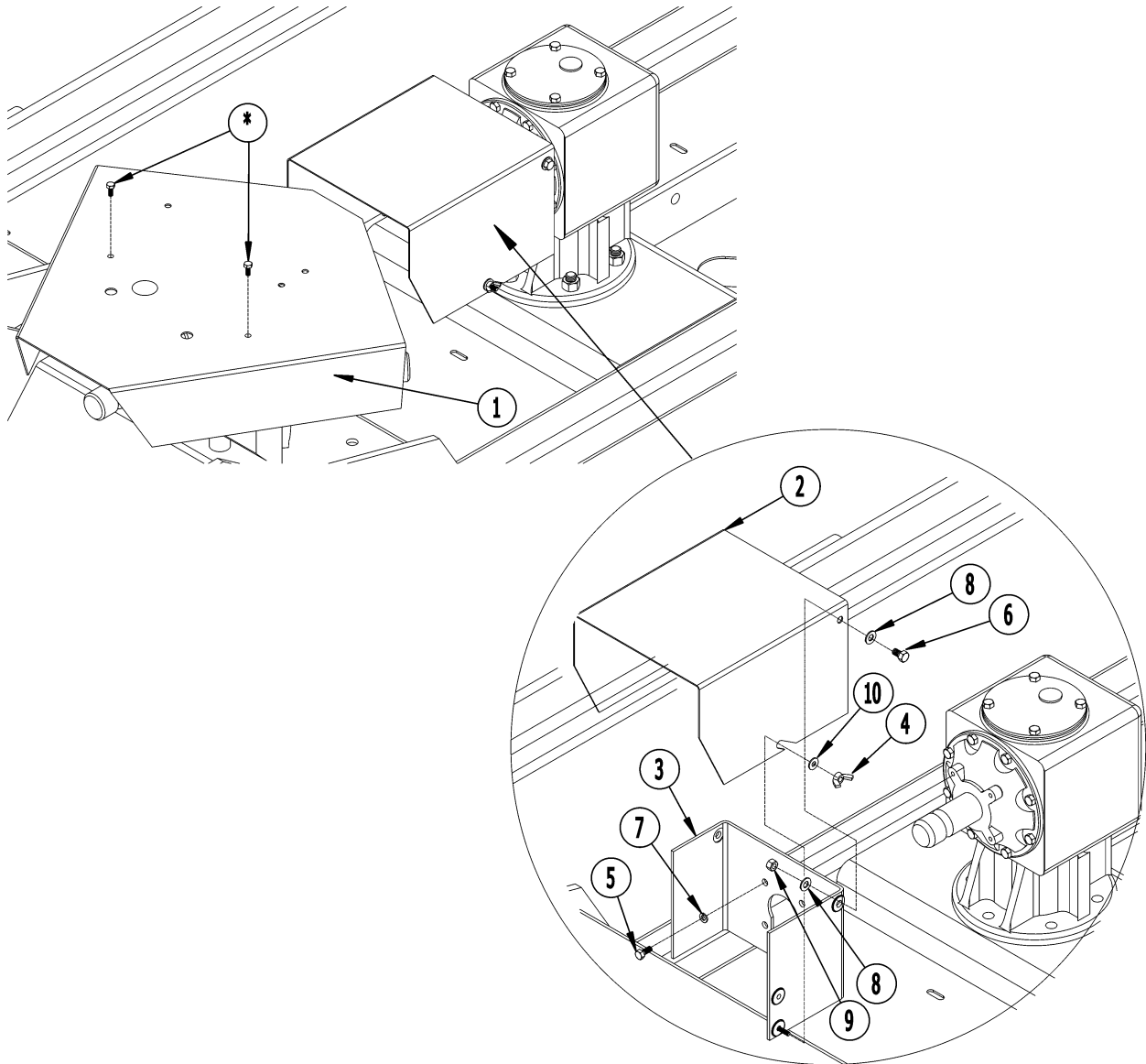
Outboard Axle - 2 Req'd

MAINFRAME COMPONENTS S/N 10001 - 11270 APR 1988 - SEPT 1990



ITEM	PART NO.	QTY.	DESCRIPTION
1	00756720	1	WLDMT, CENTER SECTION
2	00756719	1	WLDMT, LEFT WING
3	00756718	1	WLDMT, RIGHT WING
4	65109	1	PIN HINGE
5	7A51812	2	HHCS 5/16X1-1/2 ZP
	5JRC5180	2	NUT TOPLOCK 5/16
6	5710121	3	COVER PLATE
7	5F5180	6	NUT 5/16 NC WING
8	0656270000	2	T,SPACER, LONG
9	0656261000	2	SPACER, SHORT HINGE

SAFETY SHIELD ASSEMBLY SN 10001 - 11100 APR 1988 - MAR 1990

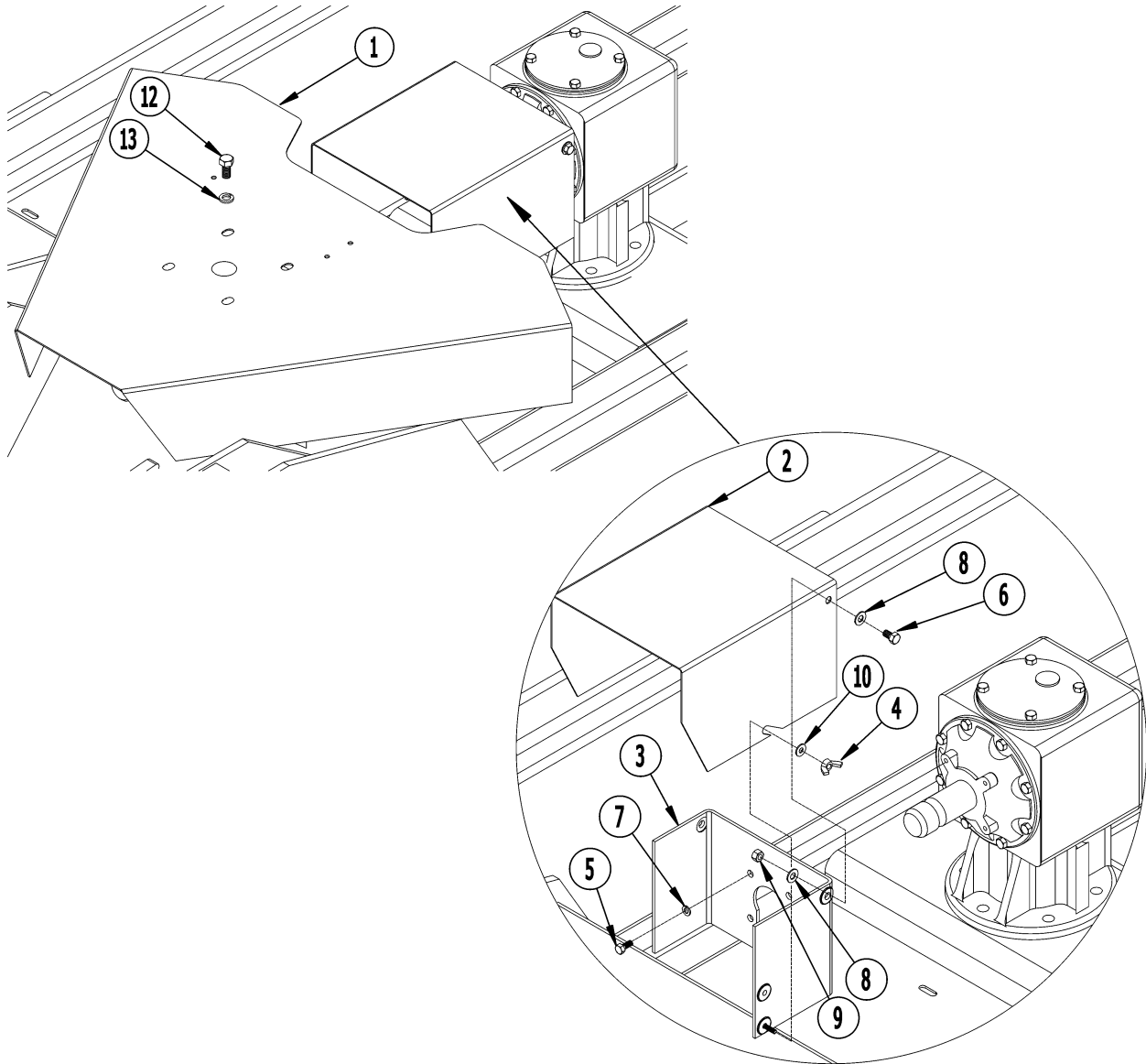


ITEM	PART NO.	QTY.	DESCRIPTION
1	0656130100	1	SHIELD, PRIMARY GEARBOX **
2	00757573	1	SHIELD - GBX
3	00757742	1	WLDMT, BRKT-GB SHIELD
4	00004000	1	NUT, 1/4-20NC PL WINGNUT
5	00751693	4	HEXB METRIC 8-P1.25- 16MM PL5
6	10182000	2	HHCS 3/8-16
7	00011700	4	LOCKWASHER 5/16 PL STD
8	00011100	4	FLATWASHER 3/8 PL STD
9	00015800	2	NUT, TOPLOCK 3/8NC PLB
10	00024100	1	FLATWASHER STD 1/4 PL
11	00017000	1	LOCKWASHER 1/4 PL STD

* Use existing G/B Bolts

** Used with G/B PN 00756604 & PN 00755698

SAFETY SHIELD ASSEMBLY SN 11101 - 11270 MAR 1990 - OCT 1990



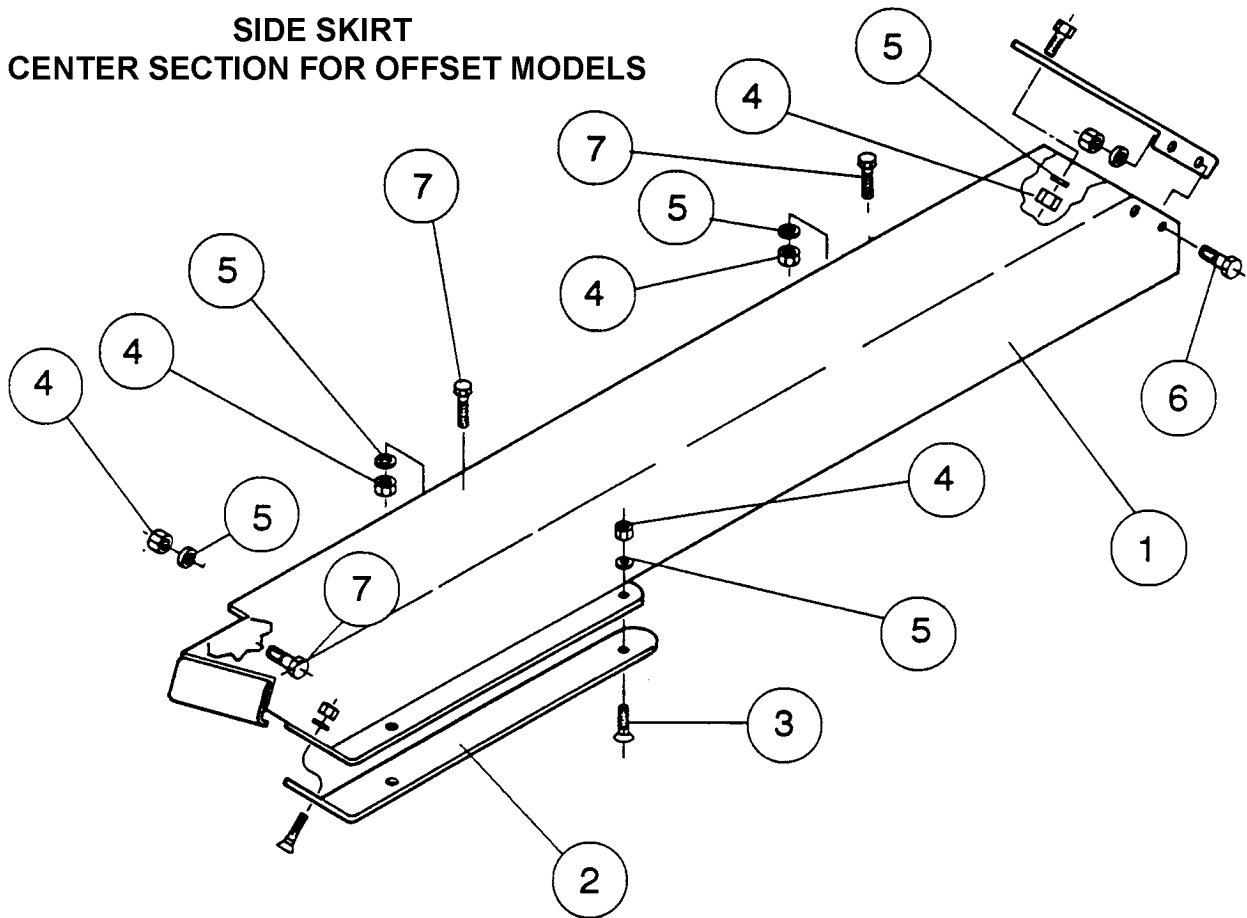
ITEM	PART NO.	QTY.	DESCRIPTION
1	00759781	1	SHIELD, PRIMARY GB
2	00757573		SHIELD - GBX +
3	00757742		WLDMT, BRKT-GB SHIELD +
4	00004000		NUT, 1/4-20NC PL WINGNUT +
5	00751693		HEXB METRIC 8-P1.25- 16MM PL5 +
6	10182000		HHCS 3/8-16 +
7	00011700		LOCKWASHER 5/16 PL STD +
8	00011100		FLATWASHER 3/8 PL STD +
9	00015800		NUT, TOPLOCK 3/8NC PLB +
10	00024100		FLATWASHER STD 1/4 PL +
11	00017000	1	LOCKWASHER 1/4 PL STD
12	00750959	1	HEXB, 1/2NC X 1, ZP, GRD5
13	00001300	1	LOCKWASHER 1/2 PL STD

+ Three (3) Required per unit.

* NOTE: Used with G/B PN 00757825 & PN 00757826

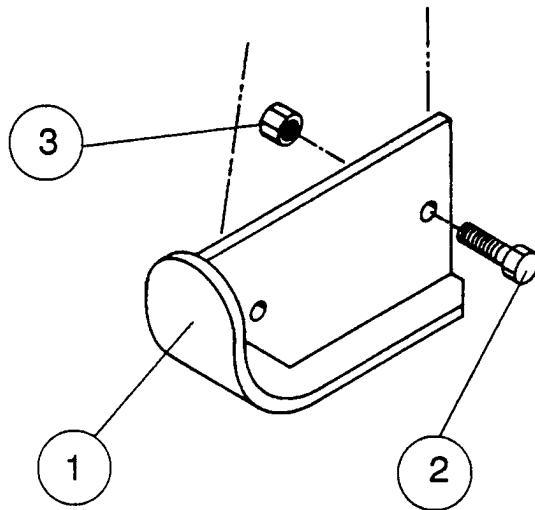
SKID SHOE & SIDE SKIRT - OFFSET MODELS SN 10001 - 11270 APR 1988 - SEPT 1990

**SIDE SKIRT
CENTER SECTION FOR OFFSET MODELS**



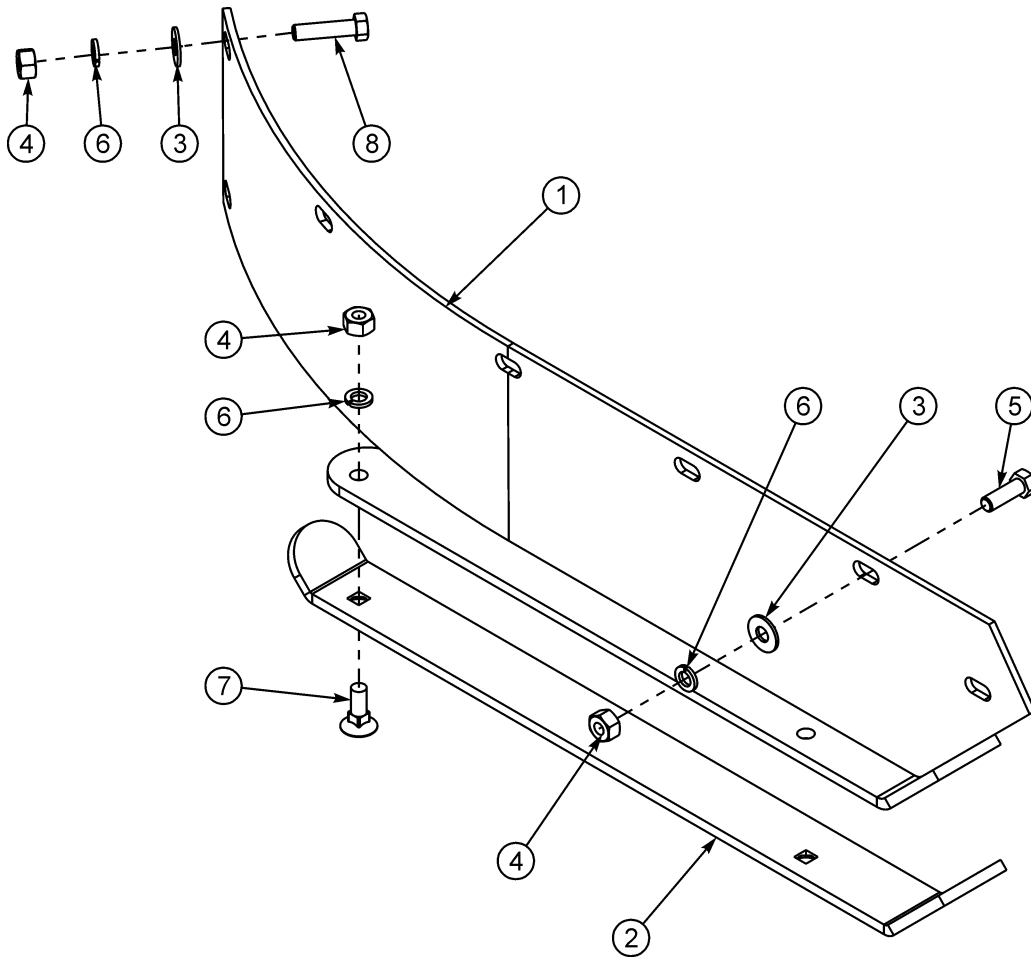
ITEM	PART NO.	QTY.	DESCRIPTION
	00757071	-	SKIRT LH CTR SC FOR 10 FT.
1	00757066	1	L/H CENTER SECTION SKIRT
2	00757069	1	SLIDE SHOE BAR
3	2A381312	3	BOLT,PLOW 1/2 NC X 1-1/2 GR.5
4	00001200	7	NUT,HEX 1/2 NC PL
5	00001300	7	LOCKWASHER 1/2 PL STD
6	63066100	4	HHCS 3/8NCX1-1/2
7	00748823	4	HHCS 1/2-13UNC 1-1/2 PL5
8	03101646	4	LOCKWASHER,3/8,MEDIUM-ZP
9	00013901	4	NUT HEX 3/8 NC PL
10	00011100	4	FLATWASHER 3/8 PL STD
11	00757072	1	REAR CONNECTOR

SKID SHOE - CENTER SECTION SN 10001 - 11270 APR 1988 - SEPT 1990



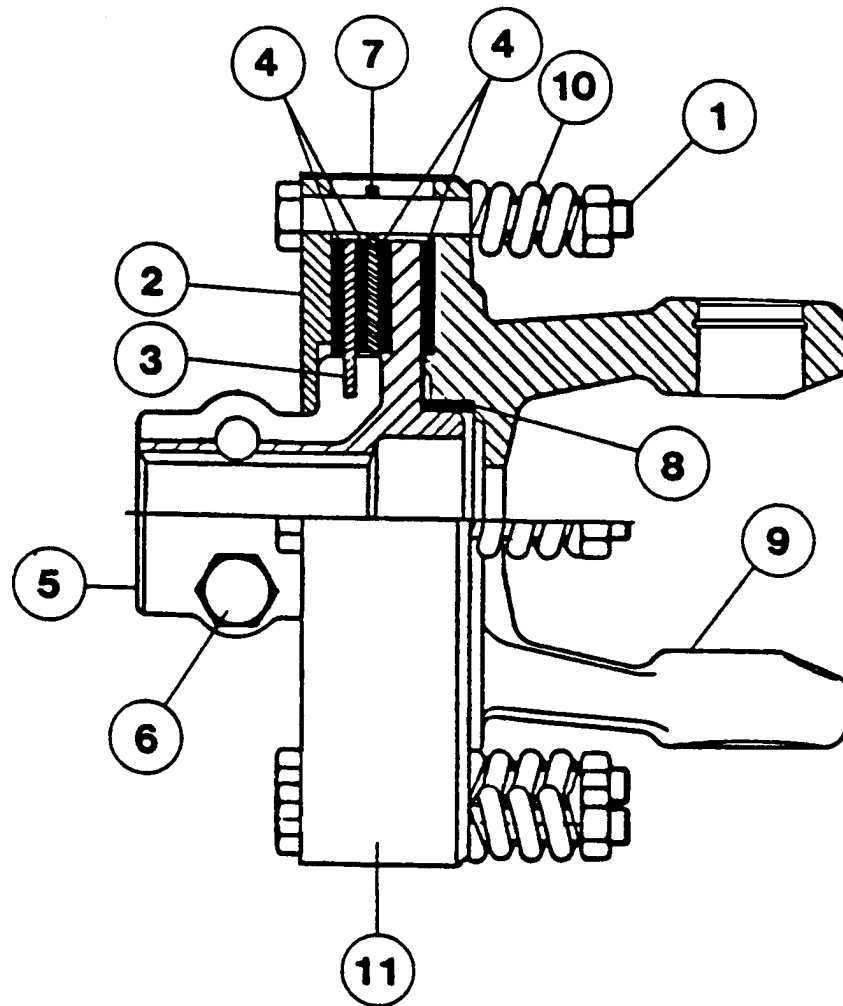
ITEM	PART NO.	QTY.	DESCRIPTION
1	00751305	2	WLDMT,SKID SHOE CS 15
2	00749171	4	HHCS 1/2-20UNF 1-1/4 PL5
3	02716500	4	NUT TOPLOCK 1/2 NF PLB

SKID SHOE & SIDE SKIRT ASSEMBLY SN 10001 - 11270 APR 1988 - SEPT 1990



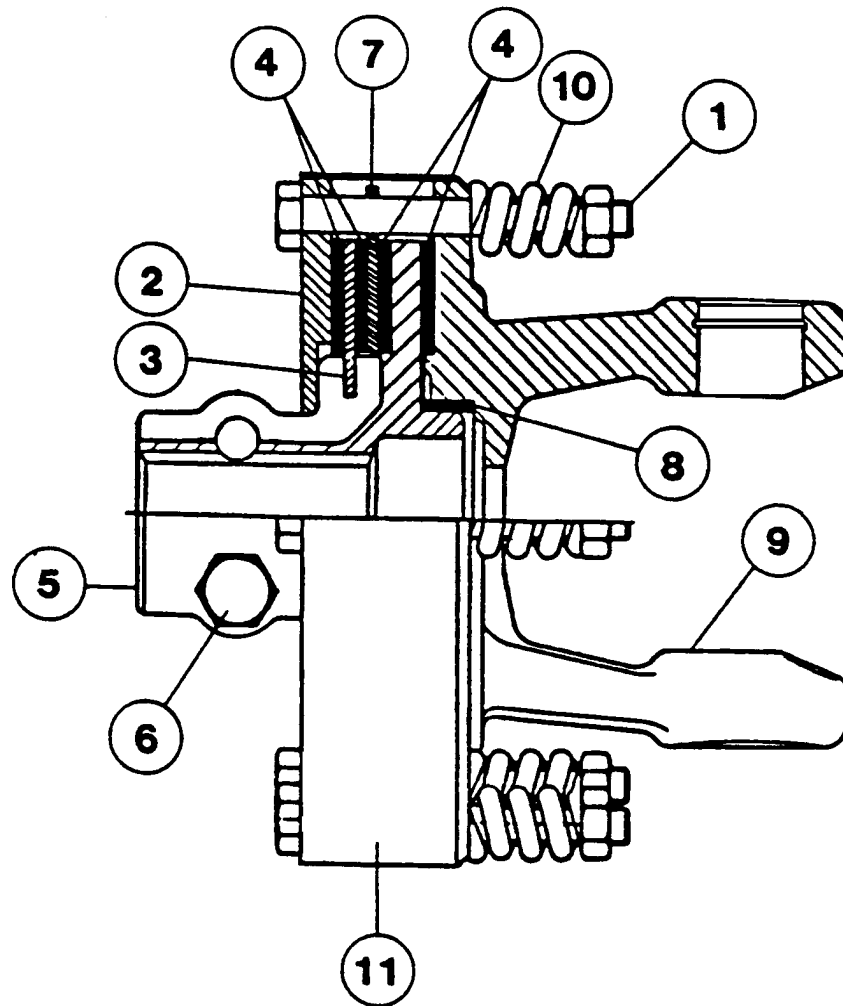
ITEM	PART NO.	QTY.	DESCRIPTION
1	00756881	1	RIGHT WING SIDE SKIRT WLDMT
	00756879	1	LEFT WING SIDE SKIRT WLDMT
2	65203R	1	SHOES SLIDE
	65203L	1	SHOES SLIDE
3	00002700	14	FLATWASHER 1/2 PL STD
4	00001200	20	NUT,HEX 1/2 NC PL
5	00748823	10	HHCS 1/2-13UNC 1-1/2 PL5
6	00001300	20	LOCKWASHER 1/2 PL STD
7	2A381312	6	BOLT,PLOW 1/2 NC X 1-1/2 GR.5
8	00013300	4	HEXB 1/2 NC 2 PL5

SLIP CLUTCH ASSEMBLY - SERIES 6 SN 10001 - 11270 APR 1988 - SEPT 1990



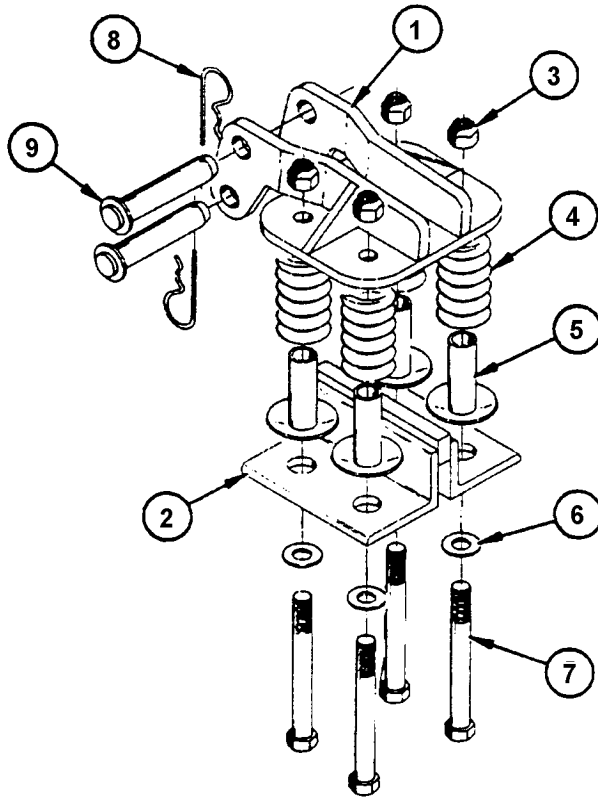
ITEM	PART NO.	QTY.	DESCRIPTION
	00756075	-	CLUTCH & YOKE SERIES 6
1	00754199	8	BOLT & NUT M10X95 SELF LK NUT
2	00754203	1	PRESSURE PLATE
3	00754201	1	INNER PLATE
4	00754202	4	RING, CLUTCH LINING
5	00755599	1	BODY-FRICTION CLUTCH
6	00755600	2	NUT & BOLT 14X70MM
7	00754314	1	PLATE WITH HOLES
8	00754301	1	BUSHING
9	00754302	1	YOKE, FLANGED
10	00754303	8	SPRING CLUTCH
11	00754304	1	DIRT SHIELD

SLIP CLUTCH ASSEMBLY - SERIES 8 SN 10001 - 11270 APR 1988 - SEPT 1990



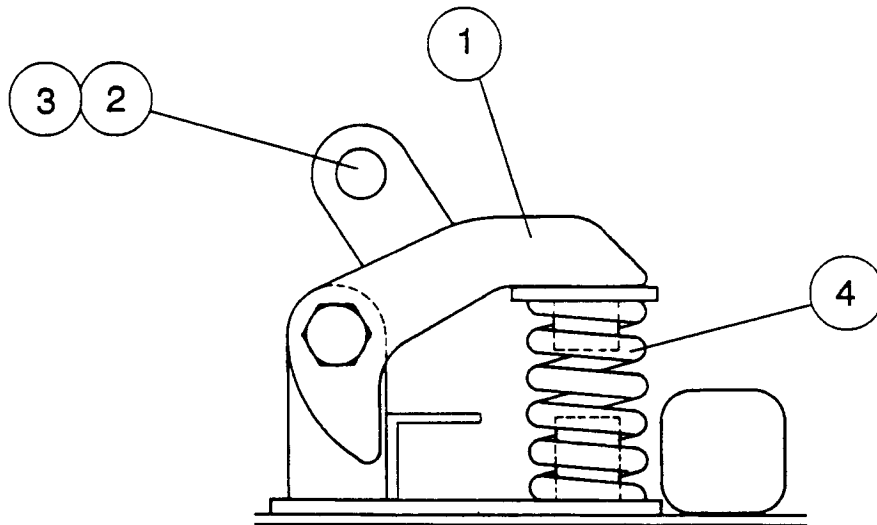
ITEM	PART NO.	QTY.	DESCRIPTION
	00756173	-	CLUTCH & YOKE SERIES 8
1	00754199	8	BOLT & NUT M10X95 SELF LK NUT
2	00754203	1	PRESSURE PLATE
3	00754201	1	INNER PLATE
4	00754202	4	RING, CLUTCH LINING
5	00755599	1	BODY-FRICTION CLUTCH
6	00755600	2	NUT & BOLT 14X70MM
7	00754314	1	PLATE WITH HOLES
8	00754301	1	BUSHING
9	00754083	1	YOKE, CLUTCH SERIES 8
10	00754303	8	SPRING CLUTCH
11	00754304	1	DIRT SHIELD

SPRING POD ASSEMBLY - CENTER AXLE SN 10001 - 11270 APR 1988 - SEPT 1990



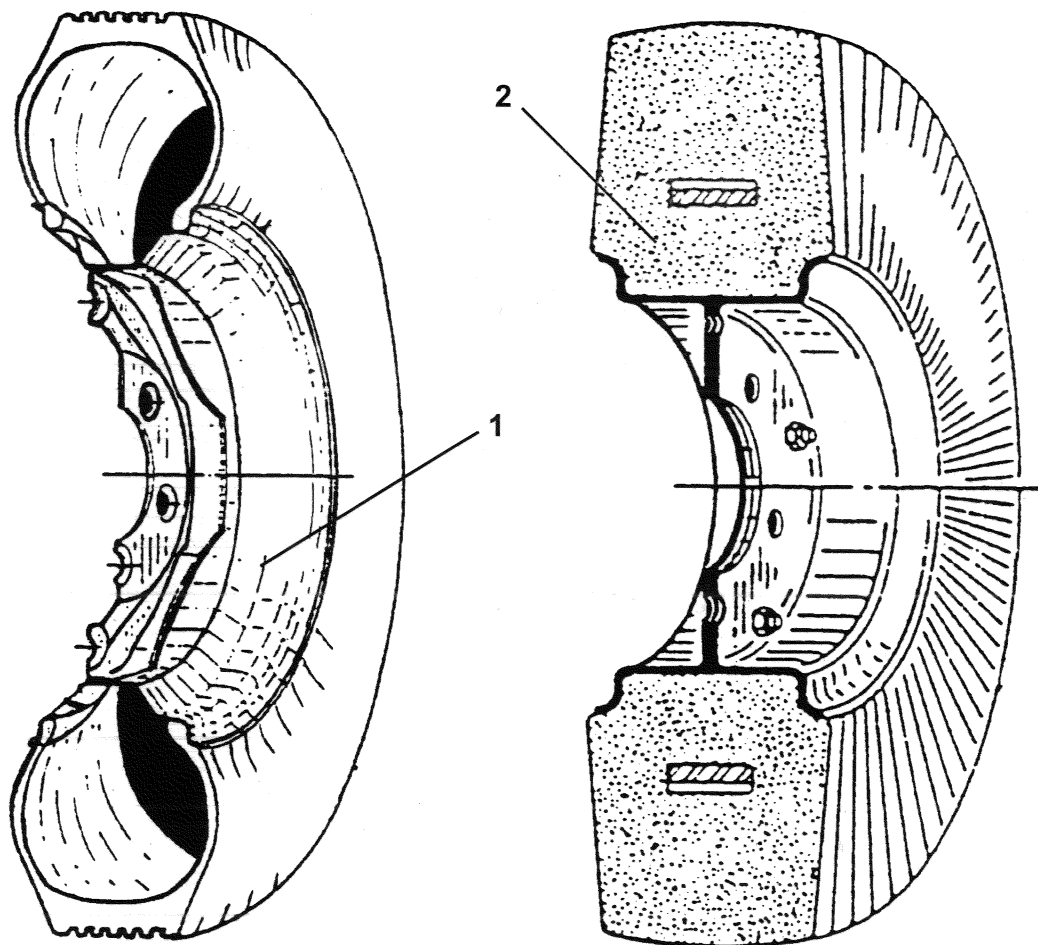
ITEM	PART NO.	QTY.	DESCRIPTION
	0656460100	-	CENTER SPRING ASSY
1	0656460110	1	UPPER SPRING WLD
2	0656460120	1	LOWER SPRING WLD
3	5JRC12100	4	NUT TOPLOCK 3/4
4	371063A	4	SPRING
5	65107A4	4	GUIDE SPRING
6	00002701	4	FLATWASHER,3/4,TYPE AW,ZP
7	02023800	4	HEXB 3/4 NC 6-1/2PL
8	37107B13	2	CLIP-X HAIR PIN
9	0656460240	2	WLDMT-PIN

SPRING POD ASSEMBLY - OUTBOARD AXLE SN 10001 - 11270 APR 1988 - SEPT 1990



ITEM	PART NO.	QTY.	DESCRIPTION
	00756999	-	SPRING ASSY OUTBOARD AXLE
1	00756907	1	WLDMT, ROCKER ARM
2	163016	2	PIN, COTTER 3/16 X 2
3	00756998	1	PIN-ROCKER ARM
4	371063A	1	SPRING

TIRE SN 10001 - 11270 APR 1988 - SEPT 1990



ITEM	PART NO.	QTY.	DESCRIPTION
1	00008700	1	WHEEL, RIM ONLY
2	00025200	1	NOTAT TIRE & WHEEL

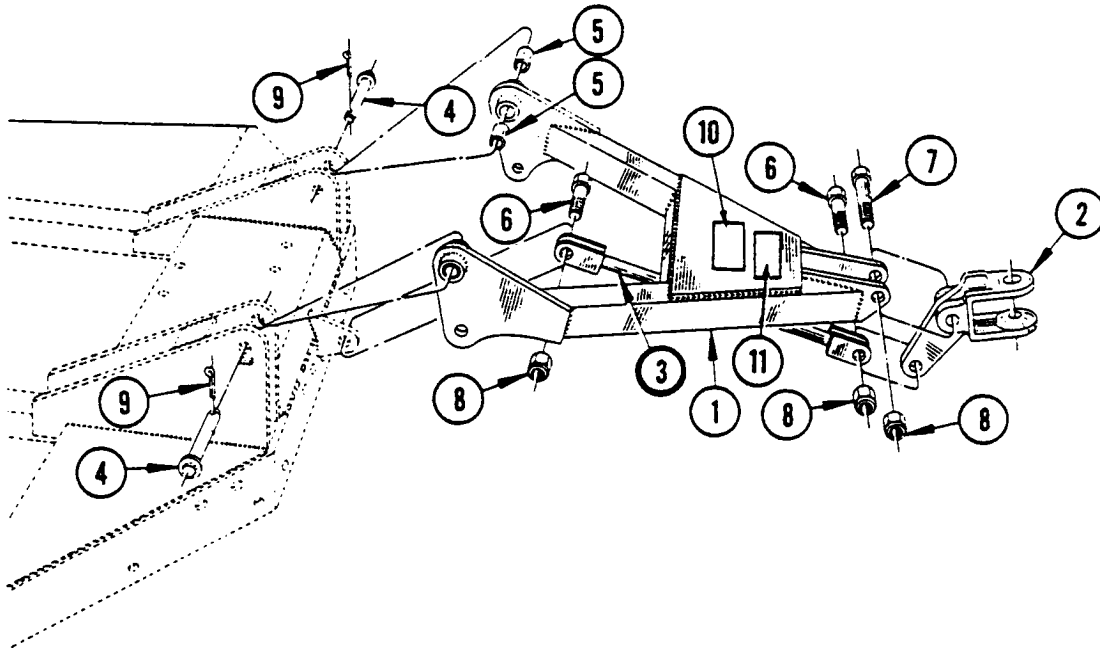
NOTE: 4 or 6 assemblies are needed, depending upon Axle requirement.

ALSO AVAILABLE

Recapped Airplane Tire on 5x12 rim - PN 00750016 (Not Shown)

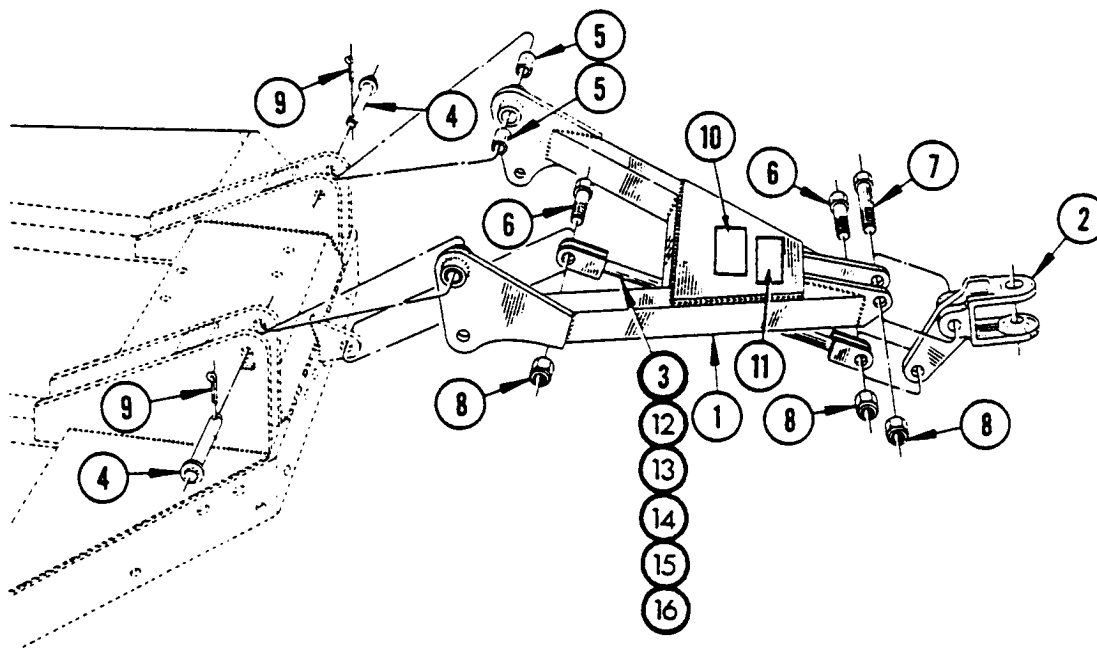
Used 14" Airplane Tire and Wheel - PN 00749700 (Not Shown)

TONGUE ASSEMBLY USED ON 44R DRIVELINE SN 10527 - 11270 MAR 1989 - SEPT 1990



ITEM	PART NO.	QTY.	DESCRIPTION
1	651051	1	WLDMT, TONGUE
2	0811050020	1	WLDMT-TONGUE HITCH
3	651053	1	ROD HITCH CONTROL
4	651054	2	PIN-TONGUE PIVOT
6	7AH5121620	2	C/S 3/4 X 2 1/2 NF 5
7	7AH5121636	1	C/S 3/4 X 4 1/2 NF 5
8	5JRC12160	3	NUT TOPLOCK 3/4 NF PLC
9	163016	2	PIN, COTTER 3/16 X 2
10	D102	1	DECAL PTO SFT TO HTCH
11	999201	1	NO LONGER AVAILABLE

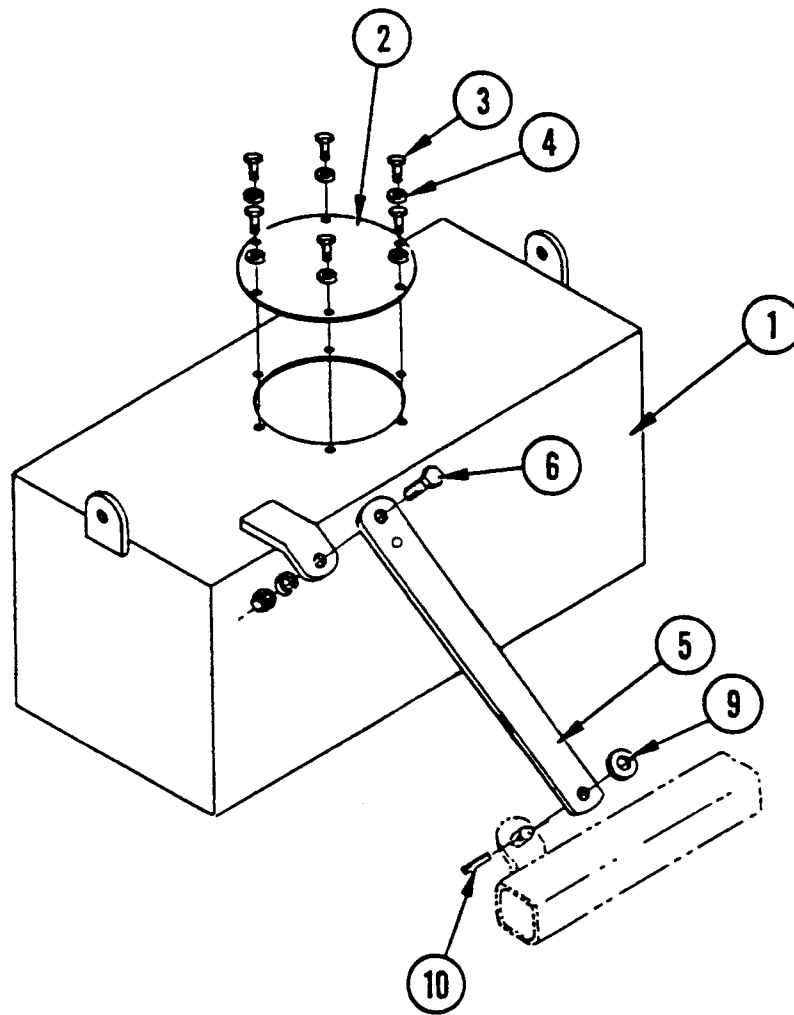
TONGUE ASSEMBLY USED ON C.V. DRIVELINE SN 10001 - 11270 APR 1988 - SEPT 1990



ITEM	PART NO.	QTY.	DESCRIPTION
1	00756667	1	WLDMT, TONGUE
2	0811050020	1	WLDMT-TONGUE HITCH
3	00755841	1	TONGUE HITCH CONTROL ROD ASSY
4	651054	2	PIN-TONGUE PIVOT
6	7AH5121620	1	C/S 3/4 X 2 1/2 NF 5 *
7	7AH5121636	3	C/S 3/4 X 4 1/2 NF 5
8	5JRC12160	2	NUT TOPLOCK 3/4 NF PLC
9	163016	1	PIN, COTTER 3/16 X 2
10	D102	1	DECAL PTO SFT TO HTCH
11	999201	1	NO LONGER AVAILABLE
12	00758643	1	ROD,CONTROL *
13	00755840	1	WLDMT, CONTROL ROD *
14	00770485A	1	NUT,EXTENDED ADJUSTMENT *
15	5C1490	1	HEXNUT 7/8 JAM ZP *
16	131400	1	LOCKWASHER 7/8

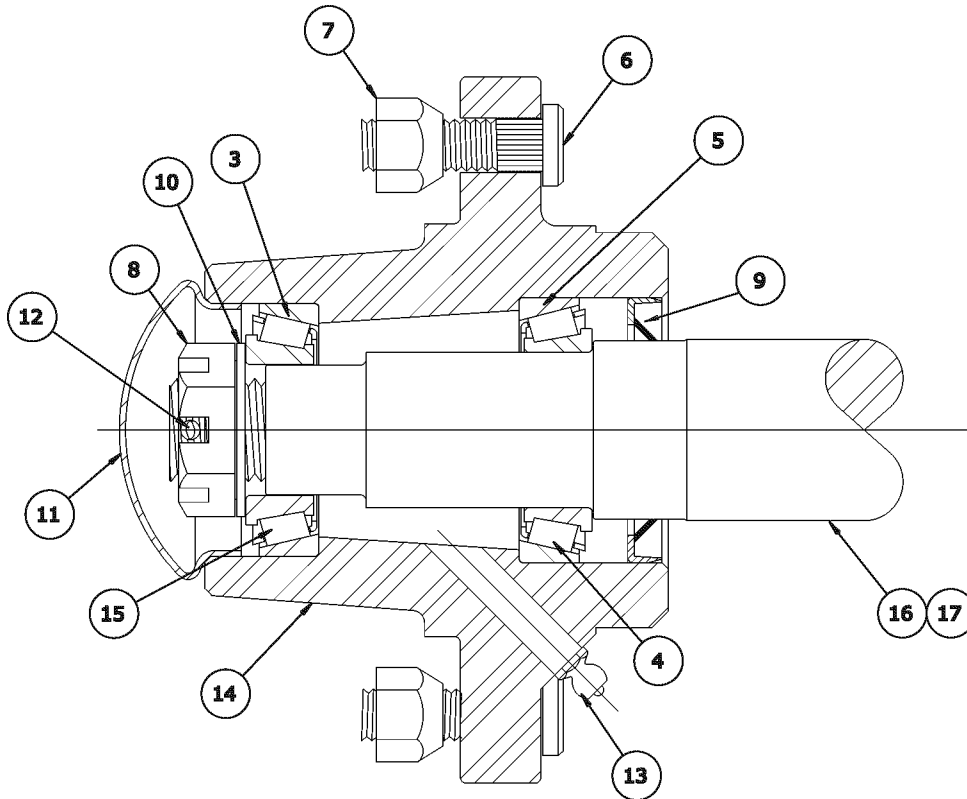
* Parts included in 00755841, Control Rod Assembly.

WEIGHT BOX SN 10001 - 11270 APR 1988 - SEPT 1990



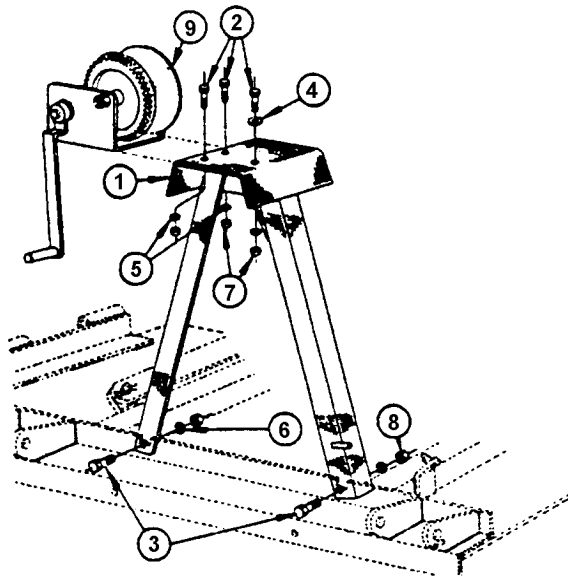
ITEM	PART NO.	QTY.	DESCRIPTION
1	0656390100	1	WEIGHT BOX WELD
2	0656390300	1	COVER
3	12BF6168	6	SCREW 3/8 X 1 NC
4	00012101	6	LOCKWASHER 3/8 PL HVY
5	00757359	1	BRACE STRAP
6	7A121016	1	C/S 3/4 X 2 NC ZP
7	00003901	1	LOCKWASHER 3/4 PL HEAVY
8	00000200	1	NUT 3/4 NC HEX PL
9	15B1200	1	WASHER 3/4 P SAE
10	20A4012E	1	PIN

WHEEL HUB ASSEMBLY SN 10001 - 11270 APR 1988 - SEPT 1990

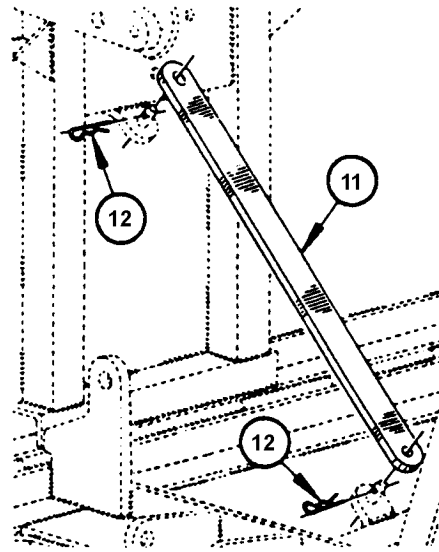


ITEM	PART NO.	QTY.	DESCRIPTION
	00757241	-	WHEEL HUB
3	00756576	1	BEARING CUP OUTSIDE
4	00750434	1	BEARING CONE INSIDE
5	00756577	1	BEARING CUP INSIDE
6	00752177	5	BOLT, STUD 1/2-20 NF X 1-7/8
7	00750614	5	NUT 1/2-20NF 90DEG.CONE LUG PL
8	00756490	1	NUT SLOTTED THIN 1 NF PLC
9	02957044	1	OIL SEAL HEAVY DUTY - TK-15
10	00756493	1	WASHER
11	00756492	1	DUST CAP
12	00026200	1	PIN-COTTER 5/32 X 1-1/2
13	00003500	1	ZERK FITTING 1/8 STRAIGHT
14	00756489	1	HUB W/ CUPS & STUBS
15	0371242102	1	BEARING CONE
16	00756001	REF	SPINDLE
	00756489	REF	HUB W/ CUPS & STUBS
	00756528	REF	WHEEL HUB ACCESS. KIT (INCLUDES 3-5 & 7-12)
17	00756002	REF	SPINDLE DUAL WHEEL

WINCH & HOLD DOWN STRAP SN 10001 - 11270 APR 1988 - SEPT 1990



WINCH SUPPORT STAND & SAFETY BRAKE WINCH



HOLD-DOWN STRAP

ITEM	PART NO.	QTY.	DESCRIPTION
1	0656200100	1	STAND WINCH FS15
2	7A6168	3	C/S3/8 X 1 NC
3	7A81312	2	C/S1/2 X 1 1/2 NC
4	15B600	1	WASHER 3/8 SAE P
5	00012101	3	LOCKWASHER 3/8 PL HVY
6	13800	2	LOCK WASHER
7	00013901	3	NUT HEX 3/8 NC PL
8	00001200	2	NUT,HEX 1/2 NC PL
9	B651202	1	WINCH & CABLE
	651202	1	WINCH
10	651203	1	CABLE, 1/4 AIRCRAFT W/THIMBLE
11	65111	2	BAR, TRANSPORT
12	37107B13	4	CLIP-X HAIR PIN

SERVIS-RHINO

LIMITED WARRANTY

1. LIMITED WARRANTIES

- 1.01. Servis-Rhino warrants for one year from the purchase date to the original non-commercial, governmental, or municipal purchaser ("Purchaser") and warrants for six months to the original commercial or industrial purchaser ("Purchaser") that the goods purchased are free from defects in material or workmanship.
- 1.02. Manufacturer will replace for the Purchaser any part or parts found, upon examination at one of its factories, to be defective under normal use and service due to defects in material or workmanship.
- 1.03. This limited warranty does not apply to any part of the goods which has been subjected to improper or abnormal use, negligence, alteration, modification, or accident, damaged due to lack of maintenance or use of wrong fuel, oil, or lubricants, or which has served its normal life. This limited warranty does not apply to any part of any internal combustion engine, or expendable items such as blades, shields, guards, or pneumatic tires except as specifically found in your Operator's Manual.
- 1.04. Except as provided herein, no employee, agent, Dealer, or other person is authorized to give any warranties of any nature on behalf of Manufacturer.

2. REMEDIES AND PROCEDURES.

- 2.01. This limited warranty is not effective unless the Purchaser returns the Registration and Warranty Form to Manufacturer within 30 days of purchase.
- 2.02. Purchaser claims must be made in writing to the Authorized Dealer ("Dealer") from whom Purchaser purchased the goods or an approved Authorized Dealer ("Dealer") within 30 days after Purchaser learns of the facts on which the claim is based.
- 2.03. Purchaser is responsible for returning the goods in question to the Dealer.
- 2.04. If after examining the goods and/or parts in question, Manufacturer finds them to be defective under normal use and service due to defects in material or workmanship, Manufacturer will:
 - (a) Repair or replace the defective goods or part(s) or
 - (b) Reimburse Purchaser for the cost of the part(s) and reasonable labor charges (as determined by Manufacturer) if Purchaser paid for the repair and/or replacement prior to the final determination of applicability of the warranty by Manufacturer.The choice of remedy shall belong to Manufacturer.
- 2.05. Purchaser is responsible for any labor charges exceeding a reasonable amount as determined by Manufacturer and for returning the goods to the Dealer, whether or not the claim is approved. Purchaser is responsible for the transportation cost for the goods or part(s) from the Dealer to the designated factory.

3. LIMITATION OF LIABILITY.

- 3.01. MANUFACTURER DISCLAIMS ANY EXPRESS (EXCEPT AS SET FORTH HEREIN) AND IMPLIED WARRANTIES WITH RESPECT TO THE GOODS INCLUDING, BUT NOT LIMITED TO, MERCHANTABILITY AND FITNESS FOR A PARTICULAR PURPOSE.
- 3.02. MANUFACTURER MAKES NO WARRANTY AS TO THE DESIGN, CAPABILITY, CAPACITY, OR SUITABILITY FOR USE OF THE GOODS.
- 3.03. EXCEPT AS PROVIDED HEREIN, MANUFACTURER SHALL HAVE NO LIABILITY OR RESPONSIBILITY TO PURCHASER OR ANY OTHER PERSON OR ENTITY WITH RESPECT TO ANY LIABILITY, LOSS, OR DAMAGE CAUSED OR ALLEGED TO BE CAUSED DIRECTLY OR INDIRECTLY BY THE GOODS INCLUDING, BUT NOT LIMITED TO, ANY INDIRECT, SPECIAL, CONSEQUENTIAL, OR INCIDENTAL DAMAGES RESULTING FROM THE USE OR OPERATION OF THE GOODS OR ANY BREACH OF THIS WARRANTY. NOT WITHSTANDING THE ABOVE LIMITATIONS AND WARRANTIES, MANUFACTURER'S LIABILITY HEREUNDER FOR DAMAGES INCURRED BY PURCHASER OR OTHERS SHALL NOT EXCEED THE PRICE OF THE GOODS.
- 3.04. NO ACTION ARISING OUT OF ANY CLAIMED BREACH OF THIS WARRANTY OR TRANSACTIONS UNDER THIS WARRANTY MAY BE BROUGHT MORE THAN TWO (2) YEARS AFTER THE CAUSE OF ACTION HAS OCCURRED.

4. MISCELLANEOUS.

- 4.01. Proper Venue for any lawsuits arising from or related to this limited warranty shall be only in Guadalupe County, Texas.
- 4.02. Manufacturer may waive compliance with any of the terms of this limited warranty, but no waiver of any terms shall be deemed to be a waiver of any other term.
- 4.03. If any provision of this limited warranty shall violate any applicable law and is held to be unenforceable, then the invalidity of such provision shall not invalidate any other provisions herein.
- 4.04. Applicable law may provide rights and benefits to purchaser in addition to those provided herein.

KEEP FOR YOUR RECORDS

ATTENTION: Purchaser should fill in the blanks below for his reference when buying repair parts and/or for proper machine identification when applying for warranty.

Servis-Rhino Implement Model _____ Serial Number _____

Date Purchased _____ Dealer _____

ATTENTION:
READ YOUR OPERATOR'S MANUAL

RHINO[®]
1020 S. Sangamon Ave.
Gibson City, IL 60936
800-446-5158
Email: parts@servis-rhino.com





TO THE OWNER/OPERATOR/DEALER

To keep your implement running efficiently and safely, read your manual thoroughly and follow these directions and the Safety Messages in this Manual. The Table of Contents clearly identifies each section where you can easily find the information you need.

The OCCUPATIONAL SAFETY AND HEALTH ACT (1928.51 Subpart C) makes these minimum safety requirements of tractor operators:

REQUIRED OF THE OWNER:

1. Provide a Roll-Over-Protective Structure that meets the requirements of this Standard; and
2. Provide Seatbelts that meet the requirements of this paragraph of this Standard and SAE J4C; and
3. Ensure that each employee uses such Seatbelt while the tractor is moving; and
4. Ensure that each employee tightens the Seatbelt sufficiently to confine the employee to the protected area provided by the ROPS.

REQUIRED OF THE OPERATOR

1. Securely fasten seatbelt if the tractor has a ROPS.
2. Where possible, avoid operating the tractor near ditches, embankments, and holes.
3. Reduce speed when turning, crossing slopes, and on rough, slick, or muddy surfaces.
4. Stay off slopes too steep for safe operation.
5. Watch where you are going - especially at row ends, on roads, and around trees.
6. Do not permit others to ride.
7. Operate the tractor smoothly - no jerky turns, starts, or stops.
8. Hitch only to the drawbar and hitch points recommended by the tractor manufacturer.
9. When the tractor is stopped, set brakes securely and use park lock, if available.



Keep children away from danger all day, every day...



Equip tractors with rollover protection (ROPS) and keep all machinery guards in place...



Please work, drive, play and live each day with care and concern for your safety and that of your family and fellow citizens.

